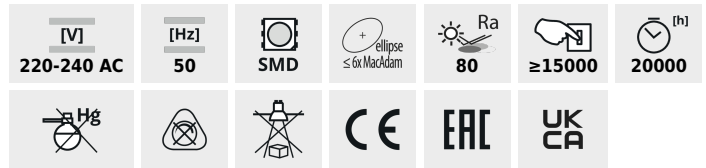


TEDI MAXX LED

LED light source



TEDI MAXX LED GU10



	P_{ON} [W]	Φ_{use}	[lm]	T_c [K]	Beam angle [°]	Base	E_i A₁ G	
TEDI MAXX LED GU10-WW	23412	9	66	900	3000	120	GU10	F
TEDI MAXX LED GU10-CW	23413	9	66	900	6000	120	GU10	F
TEDI MAXX LED GU10-NW	23414	9	66	900	4000	120	GU10	F

The Kanlux TEDI MAXX is power enclosed in a small body. Efficient LED's and ceramic casing are just two of the advantages of this light source. The stabilised power supply minimises the flicker effect, which could cause eye fatigue. In addition, The Kanlux TEDI MAXX has a light output of 100lm per 1 Watt, and the matte glass used ensures uniform light distribution

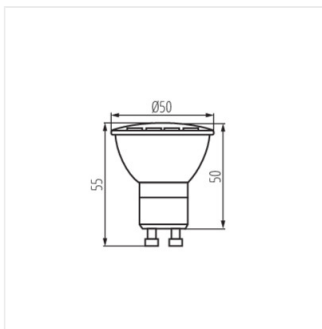
- Material: ceramics
- Lampshade material: plastic

TEDI MAXX LED

LED light source



TEDI MAXX LED GU10-CW;
WW; NW



TEDI MAXX LED GU10