

BILO LED

LED light source



[V] 220-240 AC	[Hz] 50	SMD	360° Φ _{use}	ellipse ≤ 6x MacAdam	Ra 80	≥25000
		CE	EAC	UK CA		



BILO 4,9W E27-NW



Model	P _{ON} [W]	Φ _{use} [lm]	T _c [K]	Beam angle [°]	Lifetime [h]	Base	Energy Efficiency Class
BILO 4.9W E27-NW	23418	4.9	40	470	4000	160	15000 E27 F
BILO 4.9W E27-WW	23419	4.9	40	470	3000	160	15000 E27 F
BILO 4.9W E14-NW	23428	4.9	40	470	4000	160	15000 E14 F
BILO 4.9W E14-WW	23429	4.9	40	470	3000	160	15000 E14 F
BILO 6.5W E14-NW	26766	6.5	60	806	4000	150	20000 E14 E
BILO 6.5W E14-WW	26767	6.5	60	806	3000	150	20000 E14 E
BILO 6.5W E27-NW	26768	6.5	60	806	4000	150	20000 E27 E
BILO 6.5W E27-WW	26769	6.5	60	806	3000	150	20000 E27 E

Kanlux BILO means durability, which has been achieved thanks to LED SMD technology and a hybrid structure of the radiator. All Kanlux BILO 4.9W models are characterized by high light efficiency. These golf ball-shaped E14 and E27 bulbs are perfect for sconces and chandeliers in all places where aesthetics and an average amount of light with low power are important. In addition, low power consumption helps to save energy costs.

- Material: plastic
- Lampshade material: plastic

BILO LED

LED light source



BILO 4,9W E27-NW



BILO 4,9W E27-WW



BILO 4,9W E14-NW



BILO 4,9W E14-WW



BILO 6,5W E14-NW



BILO 6,5W E14-WW



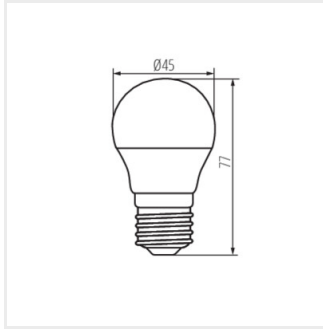
BILO 6,5W E27-NW



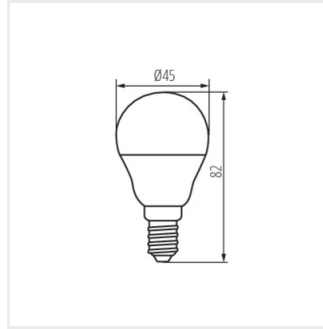
BILO 6,5W E27-WW

BILO LED

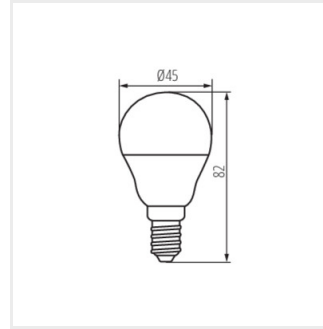
LED light source



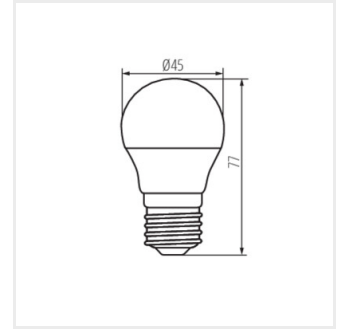
BILO 4,9W E27



BILO 4,9W E14



BILO 6,5W E14



BILO 6,5W E27