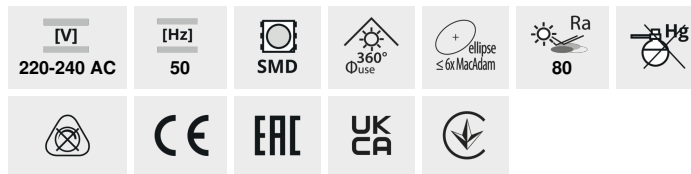


DUN LED

Źródło światła LED



DUN 4,9W E14-NW



		Power [W]	Beam angle [°]	Useful light [lm]	Temp. [K]	Temp. [°C]	Base	Life [h]	Life [h]	Class
DUN 4.9W E14-NW	23435	4.9	40	470	4000	200	E14	15000	≥25000	F
DUN 4.9W E14-WW	23434	4.9	40	470	3000	200	E14	15000	≥25000	F
DUN 6.5W E14-NW	23436	6.5	60	806	4000	200	E14	20000	≥25000	E
DUN 6.5W E14-WW	23437	6.5	60	806	3000	200	E14	20000	≥25000	E
DUN 6.5W T SMD E14-NW	23431	6.5	47	600	4000	210	E14	20000	≥15000	F
DUN 6.5W T SMD E14-WW	23430	6.5	47	600	3000	210	E14	20000	≥15000	F

The small-size Kanlux DUN is a “candle-type” bulb with E14 screw. Durability of these light sources results from the combination of LED SMD diodes and ceramic housing. Kanlux DUN are characterised by high luminous efficiency. They are perfect for wall lamps and chandeliers in all places where we want to get a lot of light even though its source is small.

- Materiał: tworzywo sztuczne

DUN LED

Źródło światła LED



DUN 4,9W E14-NW



DUN 4,9W E14-WW



DUN 6,5W E14-NW



DUN 6,5W E14-WW



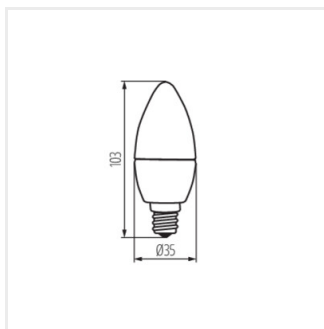
DUN 6,5W T SMD E14-NW



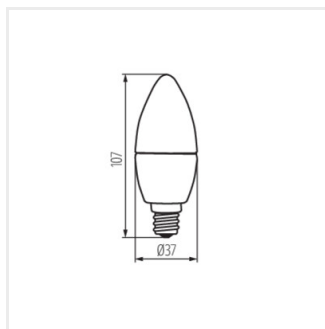
DUN 6,5W T SMD E14-WW

DUN LED

Źródło światła LED



DUN 4,9W E14; DUN 6,5W
E14



DUN 6,5W T SMD E14