

IDO LED

Źródło światła LED

HIGH
lumen

IC
driver

HIGH
efficacy

[V] 220-240 AC	[Hz] 50	SMD	360° Φ _{use}	ellipse ≤ 6x MacAdam	Ra 80	≥25000
20000 ^[h]	Hg		CE	EAC	UK CA	



IDO 6,5W E14



	Pon	[W]	[lm] Φ _{use}	Tc [K]	[°]		Ei
IDO 6.5W E14-NW	23438	6.5	60	806	4000	200	E14 E
IDO 6.5W E14-WW	23439	6.5	60	806	3000	200	E14 E

The small-sized Kanlux IDO is a "candle" type bulb with an E14 cap. The durability and energy efficiency of these sources have been made possible through the use of SMD LEDs. Kanlux IDOs have a high luminous efficiency. They are perfect for wall lamps and chandeliers in all places where you want to get a lot of light even though its source is small.

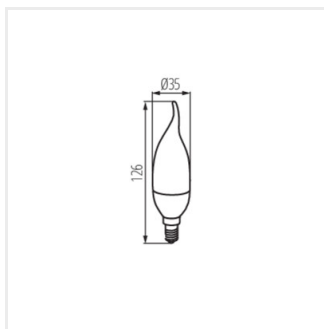
- Materiał: tworzywo sztuczne
- Materiał klosza: tworzywo sztuczne

IDO LED

Źródło światła LED



IDO 6,5W E14



IDO 6,5W E14