

23450 ALER MINI-W

PIR motion sensor



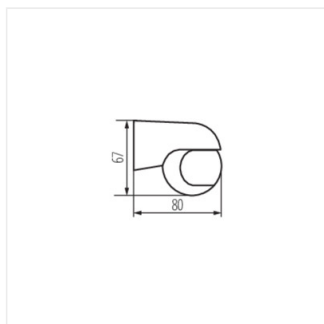
[V] 220-240 AC	[Hz] 50/60	[VA] 800	IP 44			
	[m] max 8	[°] H140/V45	[s] - [min] 10-15		[lx] 3-2000	[°C] -20÷40
	[mm] 1÷2.5					



ALER MINI-W **23450** 800 wall mounted H140/V45 10-15 PIR

ALER MINI-W sensor is a small infrared sensor with attractive and minimalistic design. The horizontal angle of the sensor work comes to 140°, and vertical 45°, and thanks to easy mechanical adjustment (vertical 45°, level 90°) it can be adapted to your needs. Owing to the high class of tightness (IP44), this sensor can be mounted in places directly exposed to weather conditions.

- Maximum movement detection up to 8m
- Maximum horizontal angle of operation of the motion sensor - 140°
- Light on time adjustable from 10s to 15min
- Capability to set the light intensity of the environment in which the device works
- Material: plastic



ALER MINI-W