

23451 MERGE ADJ-O

PIR motion sensor



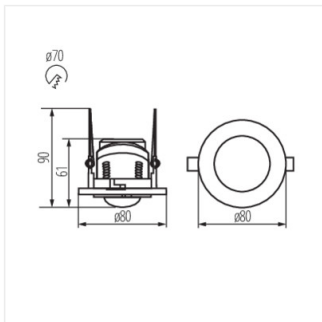
[V] 220-240 AC	[Hz] 50/60	(VA) 800	IP 20	House icon	Arrow icon	Circle icon
F	[m] max 5	[°] H360/V120	[s] - [min] 10-15	PIR	[lx] 3-2000	[°C] 5÷25
Box icon	[mm] 0.75÷1.5	CE	EAC			



MERGE ADJ-O **23451** 800 Recessed mount in the ceiling H360/V120 10-15 PIR

Kanlux MERGE ADJ is a PIR motion detector with maximum motion detection range of 5m. Its maximum horizontal angle of work comes to 360 degrees. In the MERGE ADJ sensor, you can adjust settings of parameters without a necessity to disassemble the detector.

- Maximum movement detection up to 5m
- Maximum horizontal angle of operation of the motion sensor - 360°
- Light on time adjustable from 10s to 15min
- Capability to set the light intensity of the environment in which the device works
- Motion detection 0.6...1.5m/s
- Maximum vertical angle of operation of the motion sensor 120°
- Material: plastic



MERGE ADJ-O