

23453 MERGE MW-L

MW motion sensor



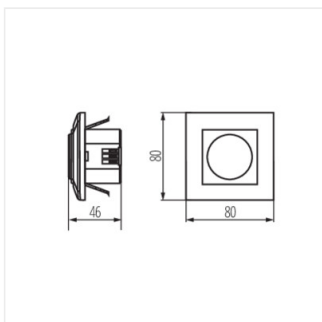
[V] 220-240 AC	[Hz] 50/60	[VA] 1200	IP 20			
	[m] max 9	[°] 180	[s] - [min] 10-12	micro wave	[lx] 3-2000	[°C] 5÷25
	[mm] 0,75÷1,5					



MERGE MW-L **23453** 1200 Recessed mount in the wall 180 10-12 microwave

Kanlux MERGE MW detector is an aesthetic and functional solution. The maximum detection range comes to 9 metres. You can set adjustments of the lighting time and light intensity level at which the detector works.

- Maximum movement detection up to 9m
- Maximum horizontal angle of operation of the motion sensor - 180°
- Light on time adjustable from 10s to 12min
- Capability to set the light intensity of the environment in which the device works
- Motion detection 0.6...1.5m/s
- Maximum vertical angle of operation of the motion sensor 180°
- Material: plastic



MERGE MW-L