

## IMBER LED

LED mirror light fitting

**IP**  
**65**



[W] 12 DC	$\geq 20000$	(h) 30000	ellipse ≤ 6x Mackdam	Ra 80	SMD	
	<b>IP</b> 65		°C -20+50			[mm] Ø27
0,1m						

### IMBER LED NW



IMBER LED NW	<b>23520</b>	1	aluminium	40	105	4000
IMBER LED CW	<b>23521</b>	1	aluminium	40	105	6500
IMBER LED WW	<b>23522</b>	1	aluminium	40	105	3000

Kanlux IMBER LED is a waterproof holder intended for building in. Low temperature of work is one of its assets, thanks to which it can be easily mounted in wood as well. The unique structure of the holder means a regular emission of light and LED diodes used here guarantee high energy efficiency. The Kanlux IMBER LED holder is a perfect idea to highlight shower baths or outdoor soffits outside a house.

- Enclosure material: aluminum alloy
- Lampshade material: plastic

## IMBER LED

LED mirror light fitting



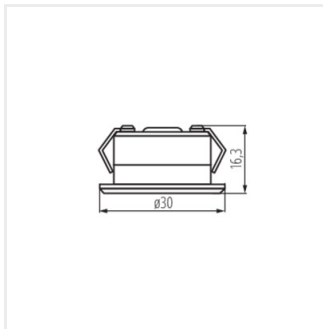
IMBER LED NW



IMBER LED CW



IMBER LED WW



IMBER LED