

TRIBIS II

A set of recessed downlights with a light source (included)



[V] 220-240 AC	[Hz] 50	GU10			IP 20	
[°C] 5 ÷ 25		[mm] 0.75 ÷ 2.5	0,5m		SMD	P _{on} 4.9
[lm] Φ _{use} 400	120° Φ _{use}	T _c [K] 3000	ellipse ≤ 6x Machdam	Ra 80		≥15000
[h] 25000						



TRIBIS II L AB



TRIBIS II L AB	23843	3 x max 10	patinated brass	in one axis	50
TRIBIS II L C	23844	3 x max 10	chrome	in one axis	50
TRIBIS II L C/M	23845	3 x max 10	chrome matte	in one axis	50
TRIBIS II O AB	23846	3 x max 10	patinated brass	in one axis	50
TRIBIS II O C	23847	3 x max 10	chrome	in one axis	50
TRIBIS II O C/M	23848	3 x max 10	chrome matte	in one axis	50
TRIBIS II L W	23849	3 x max 10	white	in one axis	50
TRIBIS II L B	23853	3 x max 10	black	in one axis	50
TRIBIS II O W	23854	3 x max 10	white	in one axis	50
TRIBIS II O B	23855	3 x max 10	black	in one axis	50

Kanlux TRIBIS II is a complete set of 3 spots, which consists of: decorative rings, light sources and ceramic lamp holders with a bracket. We can choose between two shapes (square and round) and several color variants. Kanlux TRIBIS II spots can be angularly adjusted by 50°, so we can direct them in the desired lighting. Kanlux TRIBIS II spotlights designed to be recessed into the ceiling, are perfect as main or additional lighting. You can put them in a group or split them among several places.

- Enclosure material: steel

TRIBIS II

A set of recessed downlights with a light source (included)



TRIBIS II L AB



TRIBIS II L C



TRIBIS II L C/M



TRIBIS II O AB



TRIBIS II O C



TRIBIS II O C/M



TRIBIS II L W



TRIBIS II L B

TRIBIS II

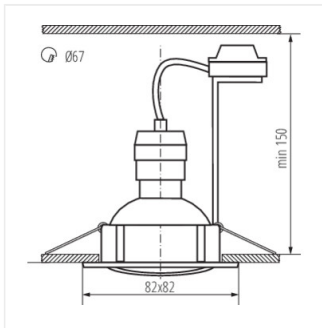
A set of recessed downlights with a light source (included)



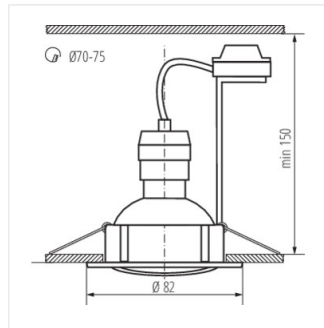
TRIBIS II O W



TRIBIS II O B



TRIBIS II L



TRIBIS II O