

CIRCO

CV power supply unit



| | | | | | | |
|-------------------|----------------|---------------------------|--------------------|----|----------|------------|
| [V] 220-240 AC | [Hz] 50 | CV | PRI [V] 220-240 | F | IP 20 | House icon |
| □ | Wavy line icon | [mm ²] 0.5 | °C 5-25 | CE | EAC | UK CA |
| ⚡ | | | | | | |



CIRCO LED 12VDC

SEC [V] 

| | | | |
|-----------------------|--------------|-------|------|
| CIRCO LED 12VDC 0-10W | 24240 | 12 DC | 0-10 |
| CIRCO LED 12VDC 0-15W | 24241 | 12 DC | 0-15 |

Kanlux CIRCO is an electronic constant-voltage power supply unit with power of 10 or 15 W. It is used for powering LED belts such as LED S P or LED S B.

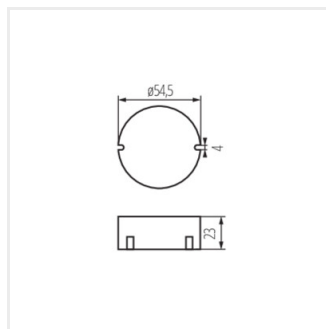
- The power supply unit is not designed to work without load.



CIRCO LED 12VDC

CIRCO

CV power supply unit



CIRCO LED 12VDC