

Kanlux



Kanlux SONOR CCT

Kanlux SONOR CCT UP is a ceiling light fitting designed to let you conveniently tailor the lighting to the function of the room. With adjustable colour temperatures of 3000K, 4000K, and 5700K, as well as the option to shine light downwards, upwards, or in both directions simultaneously, a single fitting can serve both as practical main lighting and as a decorative ceiling feature. The up-light function creates a subtle glow that enhances the atmosphere of the interior, while the downward light provides comfortable illumination for everyday use. The fitting is available in two wattages (6W/12W) and in two finishes — matte white and matte black — making it easy to match with a variety of interior styles.

CCT

 [V] 220-240 AC	 [Hz] 50	 [°] 110	 15000	 [h] 30000	 ellipse ≤ 6x MacAdam	 Ra 80
 SMD			 IP 20		 [°C] 5=25	
	 [mm] 0.5÷1.5	 0,5m				



SONOR CCT UP 6W W



SONOR CCT UP 6W W	24364	max 6	460/490/500	3000/4000/5700	white
SONOR CCT UP 6W B	24365	max 6	460/490/500	3000/4000/5700	black
SONOR CCT UP 12W W	24366	max 12	1100/1180/1160	3000/4000/5700	white
SONOR CCT UP 12W B	24367	max 12	1100/1180/1160	3000/4000/5700	black



SONOR CCT UP 6W W



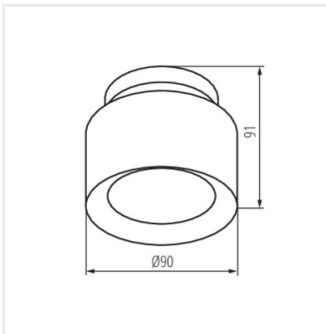
SONOR CCT UP 6W B



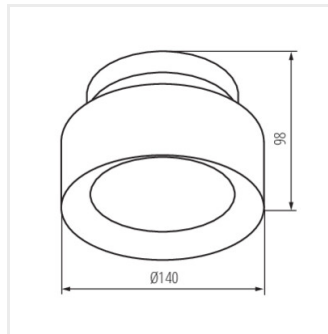
SONOR CCT UP 12W W



SONOR CCT UP 12W B



SONOR CCT UP 6W B



SONOR CCT UP 12W B

Date of issue: 01.07.2026, 12:45

We reserve the right to make technical changes. The data contained in this material are not legally binding.

Photometry: the results obtained from testing were from a specific sample.

Kanlux S.A. ul. Objazdowa 1-3, 41-922 Radzionków, Poland kanlux@kanlux.com