

ZUBI LED

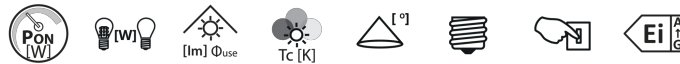
LED light source



[V] 220-240 AC	[Hz] 50	SMD	360° Φ _{use}	+ ellipse ≤ 6x MacAdam	Ra 80	Hg
	CE	EAC	UK CA			



ZUBI LED 4W G9-CW



	P _{ON} [W]	Light bulb	[lm] Φ _{use}	T _c [K]	Beam angle	Screw base	E _i A G
ZUBI LED 4W G9-CW	24519	4	42	520	6500	320	G9 ≥15000 E
ZUBI LED 4W G9-WW	24526	4	42	520	3000	320	G9 ≥15000 E
ZUBI LED 4W G9-NW	24527	4	42	520	4000	320	G9 ≥15000 E
ZUBI LED 4W E14-WW	24528	4	42	520	3000	320	E14 ≥15000 E
ZUBI LED 4W E14-NW	24529	4	42	520	4000	320	E14 ≥15000 E

Kanlux ZUBI LED are energy-saving LED light sources. High luminous flux of 520lm and small size allow this source to be used in many luminaires. The construction of Kanlux ZUBI sources guarantees a wide lighting angle, thanks to which it is ideal for use in all open luminaires and chandeliers.

- Material: plastic

ZUBI LED

LED light source



ZUBI LED 4W G9-CW



ZUBI LED 4W G9-WW



ZUBI LED 4W G9-NW



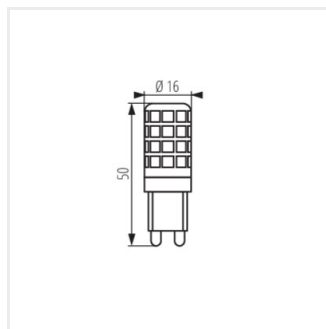
ZUBI LED 4W E14-WW



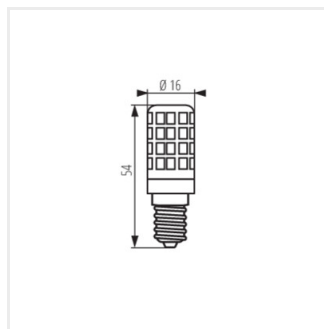
ZUBI LED 4W E14-NW

ZUBI LED

LED light source



ZUBI LED 4W G9



ZUBI LED 4W E14