

## TYBIA LED

Ceiling-mounted LED light fitting



[V] 220-240 AC	[Hz] 50	[°] 110	[h] 30000	ellipse ≤ 6x MacAdam	Ra 80	SMD
		<b>IP</b> 20		[°C] 5÷25		
[mm] 1-2.5	m 0,5m	<b>CE</b>	<b>EAC</b>	<b>UK</b> <b>CA</b>		



### TYBIA LED 38W-NW

		[W]	[lm]	Tc [K]		SENSOR	
TYBIA LED 38W-NW	<b>24640</b>	38	3800	4000	grey / white		≥20000
TYBIA LED 38W-NW-SE	<b>24641</b>	38	3800	4000	grey / white	microwave	≥20000
TYBIA LED 38W-NW B	<b>24642</b>	38	3800	4000	black		≥20000
TYBIA LED 38W-NW-SE B	<b>24643</b>	38	3800	4000	black	microwave	≥20000
TYBIA M 25W-NW GY	<b>24644</b>	25	2600	4000	grey		≥15000
TYBIA M 25W-NW B	<b>24645</b>	25	2600	4000	black		≥15000
TYBIA M 25W-NW-SE GY	<b>24646</b>	25	2600	4000	grey	microwave	≥15000
TYBIA M 25W-NW-SE B	<b>24647</b>	25	2600	4000	black	microwave	≥15000

Kanlux TYBIA LED is a general lighting luminaire using SMD diodes. When mounted in corridors, staircases, social or utility rooms, TYBIA LED allows for significant savings related to both reduced energy consumption and the long-term maintenance-free operation.

- Enclosure material: aluminum alloy
- Lampshade material: PMMA

## TYBIA LED

Ceiling-mounted LED light fitting



TYBIA LED 38W-NW



TYBIA LED 38W-NW-SE



TYBIA LED 38W-NW B



TYBIA LED 38W-NW-SE B



TYBIA M 25W-NW GY



TYBIA M 25W-NW B



TYBIA M 25W-NW-SE GY

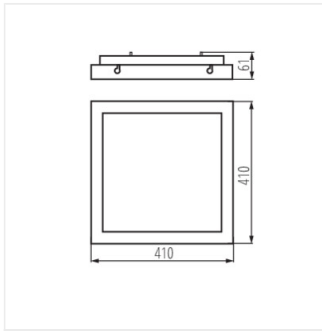


TYBIA M 25W-NW-SE B

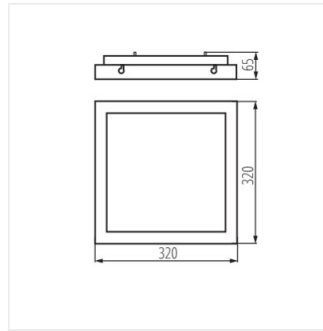
## TYBIA LED

---

### Ceiling-mounted LED light fitting



TYBIA LED 38W



TYBIA LED 25W