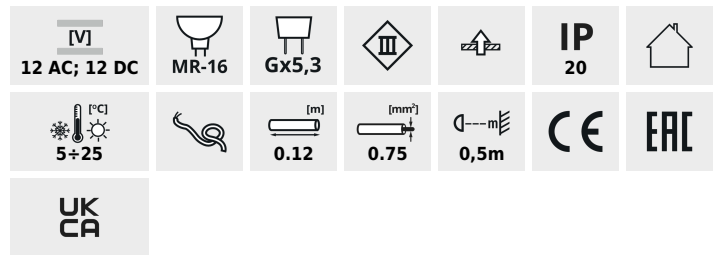


Ceiling-mounted spotlight fitting



NAVI CTX-DT10-W



NAVI CTX-DT10-W	02550	max 50	white	in one axis	15
NAVI CTX-DT10-C	02551	max 50	chrome	in one axis	15
NAVI CTX-DT10-C/M	02553	max 50	chrome matte	in one axis	15
NAVI CTX-DT10-AB	02554	max 50	matt brass	in one axis	15
NAVI CTX-DS10-AB	04693	max 50	matt brass	none	
NAVI CTX-DS10-C	04694	max 50	chrome	none	
NAVI CTX-DS10-SN	04695	max 50	nickel matte	none	
NAVI CTX-DS10-B	25990	max 50	black matt	none	
NAVI CTX-DT10-B	25991	max 50	black matt	in one axis	15

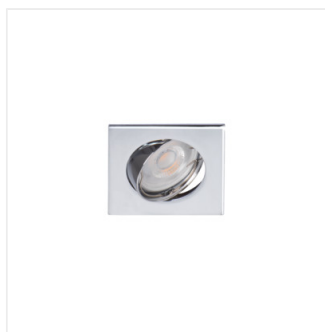
Kanlux NAVI is a family of simple in their form, diverse spot-beam holders with very broad possibilities of use.

- Enclosure material: aluminum alloy

Ceiling-mounted spotlight fitting



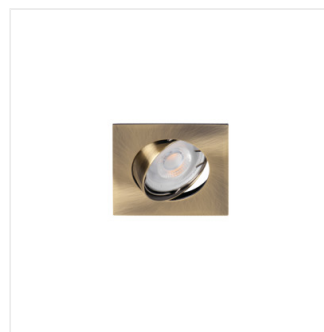
NAVI CTX-DT10-W



NAVI CTX-DT10-C



NAVI CTX-DT10-C/M



NAVI CTX-DT10-AB



NAVI CTX-DS10-AB



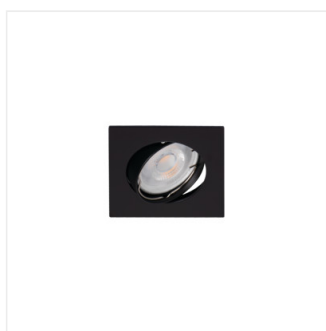
NAVI CTX-DS10-C



NAVI CTX-DS10-SN

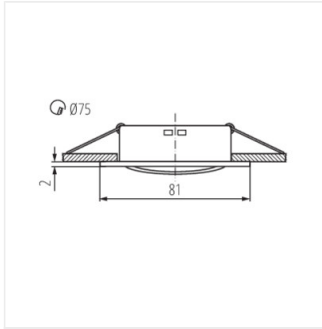


NAVI CTX-DS10-B

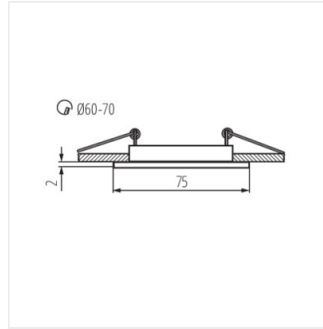


NAVI CTX-DT10-B

Ceiling-mounted spotlight fitting



NAVI CTX-DT10



NAVI CTX-DS10