

TAXI SMD

Recessed light fitting



[V] 220-240 AC	[Hz] 50	≥10000	20000	ellipse ≤ 60 MacAdam	Ra 80	SMD
	IP 54	0,1m		-20 ÷ 35		
	[m] 0.22	[mm] 0.75	CE	EAC	UK CA	



		[W]	[lm]	Tc [K]	
TAXI SMD L C/M-WW	26460	0.6	10	3000	chrome matte
TAXI SMD L C/M-NW	26461	0.6	10	4000	chrome matte
TAXI SMD P C/M-WW	26462	0.6	10	3000	chrome matte
TAXI SMD P C/M-NW	26463	0.6	10	4000	chrome matte

Kanlux TAXI SMD is a LED accent luminaire. It can be installed both indoors and outdoors (IP54). A perfect choice for decorative lighting of stairs and platforms.

- Enclosure material: Metal
- Protective glass material: glass
- Panel/frame material: stainless steel

TAXI SMD

Recessed light fitting



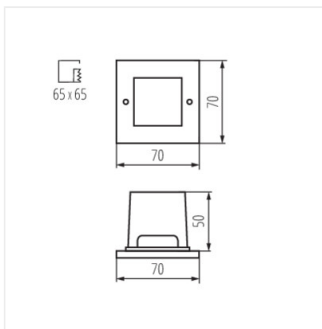
TAXI SMD L C/M-NW



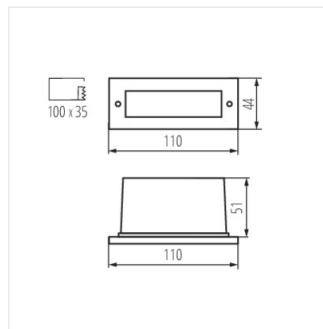
TAXI SMD P C/M-WW



TAXI SMD P C/M-NW



TAXI SMD L



TAXI SMD P