

IVRI

Ring for spotlight fittings



IVRI DTO-W



IVRI DTO-W **26736** max 35 white in one axis 30

Kanlux IVRI is a decorative ring made of aluminium. Kanlux IVRI is expressive in its shape and adjustment of the direction of light - light source comes to 30 degrees.

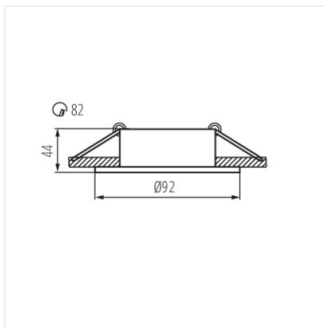
- Enclosure material: aluminum alloy

IVRI

Ring for spotlight fittings



IVRI DTO-W



IVRI DTO