

AVAR LED

LED lighting frame



[V] 220-240 AC	[Hz] 50	≥15000	25000	ellipse ≤ 60 MacAdam	Ra 80	SMD
		IP 20		°C 5+25		
[mm] 0.75	m 0,5m					



	[W]	[lm]	Tc [K]	[°]		
AVAR 6060 40W-NW	26770	40	3600	4000	110	white
AVAR 6060 40W-CW	26771	40	3800	6000	110	white
AVAR 6262 40W-NW	26773	40	3600	4000	110	white
AVAR 6262 40W-WW	26774	40	3400	3000	110	white

LED panels are very popular lighting elements in office interiors. Due to their durability, energy efficiency and aesthetics, they have replaced extent raster luminaires to a large. Kanlux AVAR LED is a new dimension in LED panels distinguished by modern technology and the shape of frame which emits intense and impressive light.

- AVAR 62x62 is intended for an alternative size of ceiling systems (625mmx625mm)
- Enclosure material: aluminum alloy
- Lampshade material: plastic
- Panel/frame material: aluminum alloy

AVAR LED

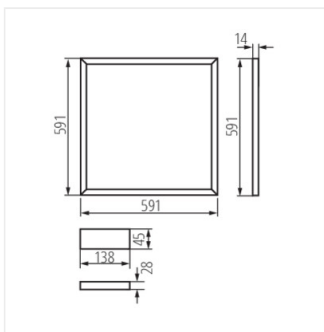
LED lighting frame



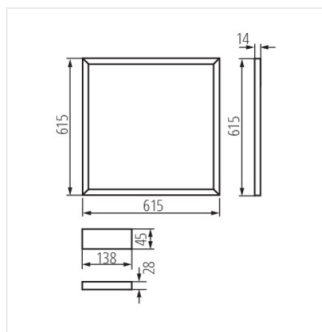
AVAR 6060 40W-CW



AVAR 6262 40W-NW



AVAR 6060 40W



AVAR 6262 40W

AVAR LED

LED lighting frame

ACCESSORIES:

28512 AVAR DALI SET 40W Set containing accessories and a power supply unit enabling communication in line with DALI protocol (28512)

