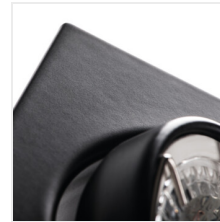


## ALOR

Ring for spotlight fittings



### ALOR DSL-W



ALOR DSL-W	<b>26726</b>	max 10	matte white	none	
ALOR DSL-B	<b>26727</b>	max 10	black matt	none	
ALOR DTL-W	<b>26731</b>	max 10	matte white	in one axis	30
ALOR DTL-B	<b>26732</b>	max 10	black matt	in one axis	30
ALOR DSO-W	<b>26790</b>	max 10	matte white	none	
ALOR DSO-B	<b>26791</b>	max 10	black matt	none	
ALOR DTO-W	<b>26795</b>	max 10	matte white	in one axis	30
ALOR DTO-B	<b>26796</b>	max 10	black matt	in one axis	30

Kanlux ALOR is a family of downlights in the most popular colors; black and white, with a matte finish. Downlight do not have a ceramic lamp holder in the set. We can use the lamp holder that will fit the GU10 or Gx5.3 base, which will allow us to use light sources adapted to the prepared installation.

- Decorative ring without a ceramic frame
- Enclosure material: steel

## ALOR

Ring for spotlight fittings



ALOR DSL-W



ALOR DSL-B



ALOR DTL-W



ALOR DTL-B



ALOR DSO-W



ALOR DSO-B



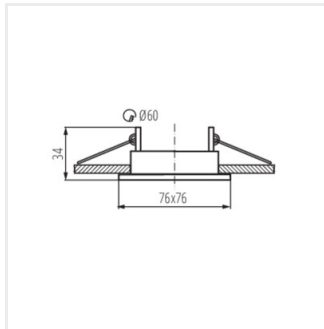
ALOR DTO-W



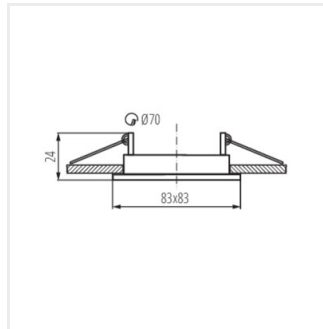
ALOR DTO-B

## ALOR

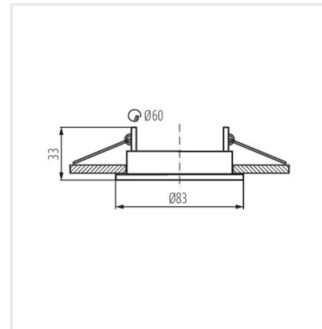
### Ring for spotlight fittings



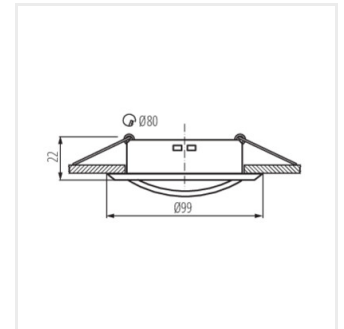
ALOR DSL



ALOR DTL



ALOR DSO



ALOR DTO