

PIR motion sensor



[V] 220-240 AC	[Hz] 50/60	[°] 2000	<b>IP</b> 20			
F	[m] max 10	[°] H360/V120	[s] - [min] 10-30	3 x PIR	[lx] 3-2000	[°C] 5÷25
	[mm] 0.75÷1.5					



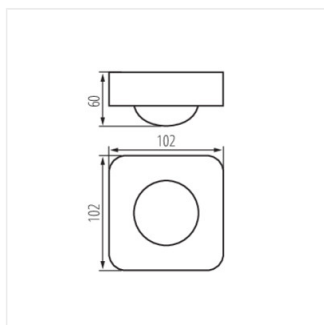
SENTO **26820** 2000 wall mounted, ceiling mounted H360/V120 10-30 3xPIR

Kanlux SENTO is an electronic sensor for movement detection. Its exceptionality lies in the fact that as many as three infrared detectors are installed in one sensor. This guarantees an unprecedented sensitivity and allows you to capture even the slightest movement. Kanlux SENTO, due to its unusual features, is referred to as a presence detector.

- Material: plastic



PIR motion sensor



SENTO

