

PIR motion sensor



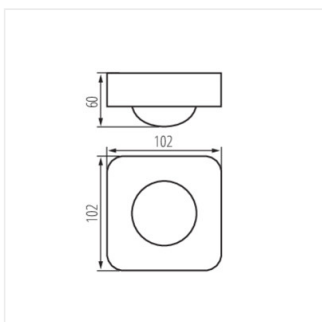
[V] 220-240 AC	[Hz] 50/60	[VA] 2000	IP 20			
	[m] max 10	[°] H360/V120	[s] - [min] 10-30	2 x PIR	[lx] 3-2000	[°C] 5÷25
	[mm] 0.75÷1.5					



SENZO **26821** 2000 wall mounted, ceiling mounted H360/V120 10-30 2xPIR

Kanlux SENZO is a PIR movement sensor used in automatic lighting switching systems. The special arrangement of two infrared sensors in Kanlux SENZO allows it to be used in high room installations, such as warehouses or production halls. Its vertical range is as much as 10 meters.

- Material: plastic



SENZO

PIR motion sensor

