

27000 ETISSA D20 GR

Pendant lamp

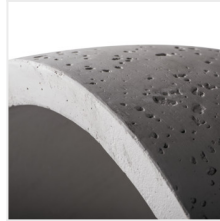


MODERN
design



ETISSA D20 GR

 220-240 AC	 50			IP 20		 5+25
		 0.75+2.5	 0,5m	CE	EAC	UK CA



ETISSA D20 GR **27000** max 40 grey

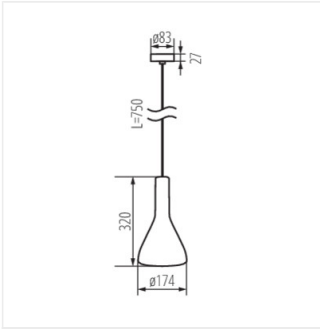
Kanlux ETISSA are hanging lamps which cooperate with all sources of light with E27 light bulb base. Holders are made of concrete mass. In stylistic terms, they are products in a severe, loft-like climate, perfectly matching modern, minimalistic interiors. Their coating is porous, which is characteristic of concrete surfaces.

- Lampshade material: plaster cast



27000 ETISSA D20 GR

Pendant lamp



ETISSA D20 GR