

27001 OGIVA D35 GR

Pendant lamp



MODERN
design

 220-240 AC	 50			IP 20		 5+25
		 0.75+2.5	 0,5m	CE	EAC	UK CA



OGIVA D35 GR



OGIVA D35 GR **27001** max 40 grey

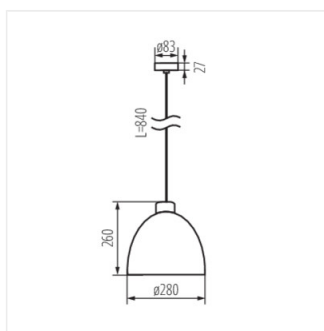
Kanlux OGIVA are hanging lamps co-operating with all light sources with E27 light bulb base. Luminaires are made of concrete mass of natural colour (grey). In terms of style, the products have austere, loft style, perfectly matching modern, minimalist interiors. Their coating is porous, which is characteristic of concrete surfaces. The lamps are manufactured in Poland.

- Lampshade material: plaster cast



27001 OGIVA D35 GR

Pendant lamp



OGIVA D35 GR