

## TP SLIM LED

### Linear LED luminaire



up to  
**110**  $\frac{\text{lm}}{\text{W}}$



$[V]$ <b>220-240 AC</b>	$[Hz]$ <b>50</b>	 $\geq 20000$	 <b>25000</b>	 ellipsose $\leq 6^\circ$ MacAdam	 <b>80</b>	 <b>SMD</b>
		<b>IP 65</b>		 $-20 \div 40$		<b>IK 08</b>
	$1-2.5$ [mm]	$0,5m$				



		$[W]$	$[lm]$	$T_c [K]$	$[\theta]$	
TP SLIM LED 40W-NW	<b>27115</b>	40	4400	4000	X145/Y110	white
TP SLIM LED 50W-NW	<b>27116</b>	50	5500	4000	X145/Y110	white

Kanlux TP SLIM LED is a small hermetic fitting which can be mounted on a surface or in a suspended form. Assembly is convenient thanks to adjustable holders and quick couplings. Owing to IP65 tightness class and IK 08 resistance to impact, you can use the fitting in such places as: industrial rooms, warehouses, car parks and garages.

- Enclosure material: plastic
- Lampshade material: plastic

## TP SLIM LED

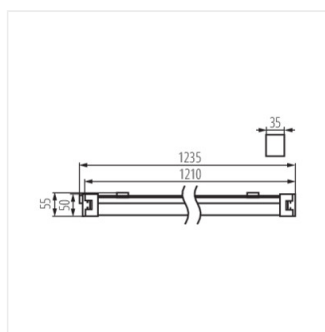
Linear LED luminaire



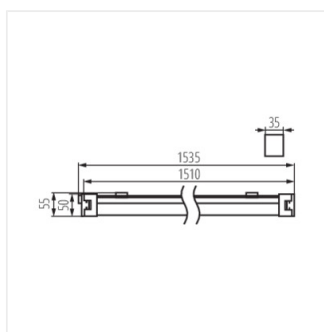
TP SLIM LED 40W-NW



TP SLIM LED 50W-NW



TP SLIM LED 40W-NW



TP SLIM LED 50W-NW