



[V] 220-240 AC	[Hz] 50	$\geq 20000$	25000	ellipse $\leq 60^\circ$ MacAdam	Ra 80	SMD
		<b>IP</b> 65		°C -20 ÷ 40		<b>IK</b> 08
	[mm] 1.5-2.5	0,5m				



#### TP SLIM TW LED 40W-NW

	[W]	[lm]	T <sub>c</sub> [K]	[°]	
TP SLIM TW LED 40W-NW	<b>27117</b>	40	4400	4000	X145/Y110 white
TP SLIM TW LED 50W-NW	<b>27118</b>	50	5500	4000	X145/Y110 white

Kanlux TP SLIM TW is a small hermetic luminaire that can be wall or ceiling mounted. Convenient assembly is ensured by adjustable clamps and quick connect fittings, which are included in the luminaire. The IP rating of IP65 and the IK rating of IK 08 allow the luminaire to be used in industrial rooms, warehouses, car parks, and garages. In addition, Kanlux TP SLIM TW luminaires can be connected into lines. Twelve and ten luminaires can be connected for 40W and 50W versions respectively.

- Enclosure material: plastic
- Lampshade material: plastic

## TP SLIM TW LED

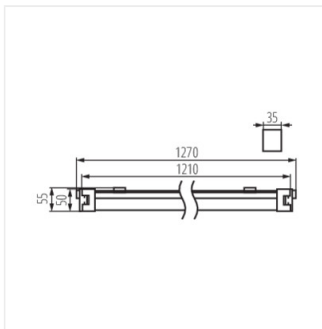
Linear LED luminaire



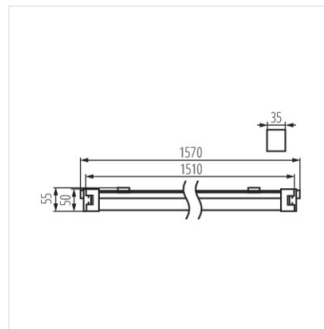
TP SLIM TW LED 40W-NW



TP SLIM TW LED 50W-NW



TP SLIM TW LED 40W-NW



TP SLIM TW LED 50W-NW