

## KANTI V2LED

### Downlight fitting



[V] 220-240 AC	[Hz] 50	≥20000	15000	ellipse ≤ 60 MacAdam	Ra 80	SMD
IP 20	5+25	360° Φ <sub>use</sub>	CE	EAC	UKCA	
[mm] 0.05	[mm] 0.75	0,5m				



### KANTI V2LED 12W-NW-SN

	[W]		[lm]	[°]	T <sub>c</sub> [K]
KANTI V2LED 12W-NW-SN	<b>27212</b>	12 nickel satin	720	110	4000
KANTI V2LED 18W-NW-SN	<b>27213</b>	18 nickel satin	1200	110	4000
KANTI V2LED 12W-NW-W	<b>28950</b>	12 white	780	110	4000
KANTI V2LED 18W-NW-W	<b>28951</b>	18 white	1260	110	4000
KANTI V2LED 6W-NW-W	<b>33546</b>	6 white	330	110	4000
KANTI V2LED 12W-NW-B	<b>33548</b>	12 black	659	110	4000
KANTI V2LED 12W-WW-W	<b>33550</b>	12 white	719	110	3000
KANTI V2LED 12W-WW-B	<b>33551</b>	12 black	600	110	3000
KANTI V2LED 18W-NW-B	<b>33552</b>	18 black	1080	110	4000
KANTI V2LED 18W-WW-W	<b>33554</b>	18 white	1199	110	3000
KANTI V2LED 18W-WW-B	<b>33555</b>	18 black	989	110	3000
KANTI V2LED 24W-NW-W	<b>33557</b>	24 white	1679	110	4000

Kanlux KANTI V2 LED is a square façade luminaire characterised by harmonious combination of modern technology with attractive and modern looks. It is distinguished by high energy efficiency with maintained excellent light parameters. Kanlux KANTI V2 LED is perfect for lighting residential interiors and office rooms.

- Enclosure material: aluminum alloy
- Lamphshade material: plastic

## KANTI V2LED

Downlight fitting



KANTI V2LED 12W-NW-SN



KANTI V2LED 18W-NW-SN



KANTI V2LED 12W-NW-W



KANTI V2LED 18W-NW-W



KANTI V2LED 6W-NW-W



KANTI V2LED 12W-NW-B



KANTI V2LED 12W-WW-W



KANTI V2LED 12W-WW-B



KANTI V2LED 18W-NW-B



KANTI V2LED 18W-WW-W



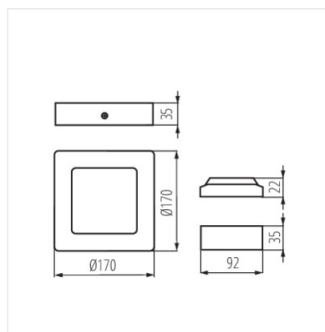
KANTI V2LED 18W-WW-B



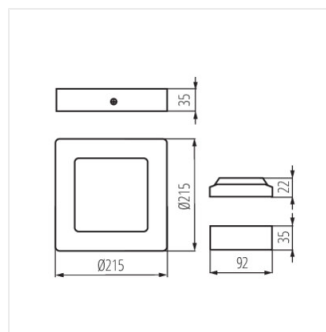
KANTI V2LED 24W-NW-W

## KANTI V2LED

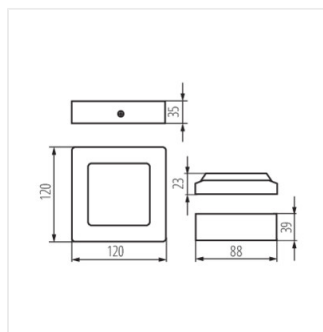
### Downlight fitting



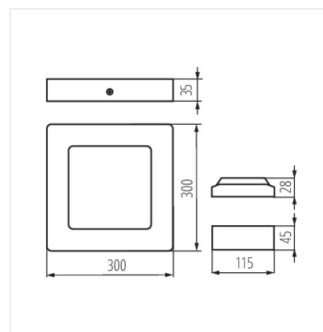
KANTI V2LED 12W



KANTI V2LED 18W



KANTI V2LED 6W



KANTI V2LED 24W