

ROUNDA V2LED

Downlight fitting



[V] 220-240 AC	[Hz] 50	≥ 20000	15000	ellipse ≤ 60 MacAdam	80	SMD
		IP 44/20		$5+25$		
0.05	0.75	0,5m	360° Φ_{use}			



	[W]		[lm]	[°]	Tc [K]	
ROUNDA V2LED12W-NW-SN	27218	12	nickel satin	780	110	4000
ROUNDA V2LED18W-NW-SN	27219	18	nickel satin	1250	110	4000
ROUNDA V2LED24W-NW-SN	27220	24	nickel satin	1700	110	4000
ROUNDA V2LED6W-NW-SN	27221	6	nickel satin	300	110	4000
ROUNDA V2LED12W-NW-SR	28930	12	silver	660	110	4000
ROUNDA V2LED12W-NW-W	28931	12	white	780	110	4000
ROUNDA V2LED12W-WW-W	28932	12	white	720	110	3000
ROUNDA V2LED18W-NW-SR	28933	18	silver	1080	110	4000
ROUNDA V2LED18W-NW-W	28934	18	white	1260	110	4000
ROUNDA V2LED18W-WW-W	28935	18	white	1200	110	3000
ROUNDA V2LED24W-NW-W	28936	24	white	1680	110	4000
ROUNDA V2LED6W-NW-W	28937	6	white	330	110	4000
ROUNDA V2LED6W-WW-W	28938	6	white	300	110	3000
ROUNDA V2LED24W-WW-W	33524	24	white	1560	110	3000
ROUNDA V2LED6W-WW-B	33562	6	black	270	110	3000

Kanlux ROUNDA V2LED is a new version of popular round downlight luminaires for indoor use. The downlights combine aesthetic design with light obtained thanks to LED technology. No water or dust can get to the inside owing to the high class of tightness (IP44).

- Enclosure material: aluminum alloy
- Lampshade material: plastic

ROUNDA V2LED

Downlight fitting



ROUNDA V2LED12W-NW-SN



ROUNDA V2LED18W-NW-SN



ROUNDA V2LED24W-NW-SN



ROUNDA V2LED6W-NW-SN



ROUNDA V2LED12W-NW-SR



ROUNDA V2LED12W-NW-W



ROUNDA V2LED12W-WW-W



ROUNDA V2LED18W-NW-SR

ROUNDA V2LED

Downlight fitting



ROUNDA V2LED18W-NW-W



ROUNDA V2LED18W-WW-W



ROUNDA V2LED24W-NW-W



ROUNDA V2LED6W-NW-W



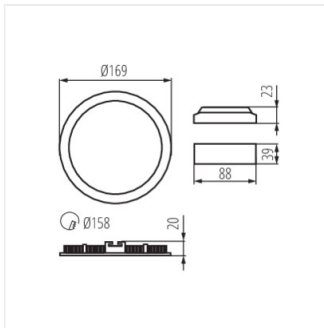
ROUNDA V2LED6W-WW-W



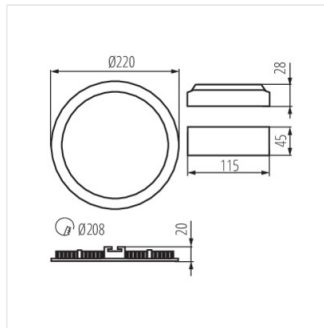
ROUNDA V2LED24W-WW-W



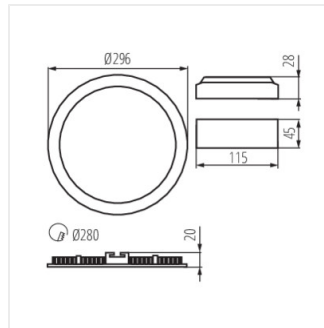
ROUNDA V2LED6W-WW-B



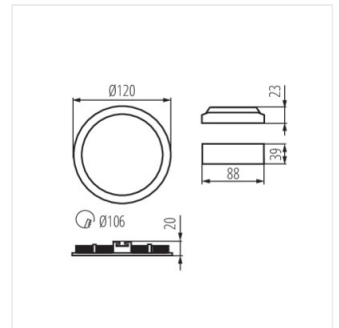
ROUNDA V2LED12W



ROUNDA V2LED18W



ROUNDA V2LED24W



ROUNDA V2LED6W