

STREET LED

Parking lighting LED



[V] 220-240 AC	[Hz] 50	≥ 20000	35000	ellipse $\leq 60^\circ$ MacAdam	Ra 70	SMD
		IP 65	$-35 \div +40$			[mm] 0.4
[mm] 1	1m					



	[W]	[lm]	Tc [K]	[°]	
STREET LED 4000 NW	27330	30	3900	4000	X100/Y145 grey
STREET LED 8000 NW	27331	60	7800	4000	X100/Y145 grey
STREET LED 12000 NW	27332	90	11700	4000	X100/Y145 grey

The Kanlux STREET LED is equipped with very-high quality LED's, which are fitted in replaceable modules. Their efficacy is at least 130 lumen for 1 Watt! Their modern design fits in very well with urban spaces. We recommend the ADTR15D adapter for these fixtures.

- STREET LED ADTR 15D Two adjustment ranges: - adaptor in a vertical position - with adjustments from -15° to $+15^\circ$
- adaptor in an right angle position (90 degrees) - with adjustments from -5° to $+15^\circ$
- Enclosure material: aluminum alloy
- Lampshade material: plastic

STREET LED

Parking lighting LED



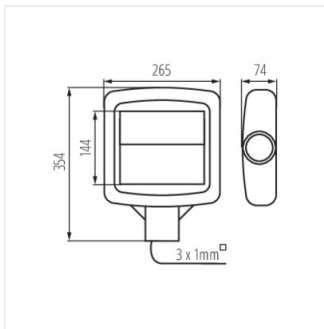
STREET LED 4000 NW



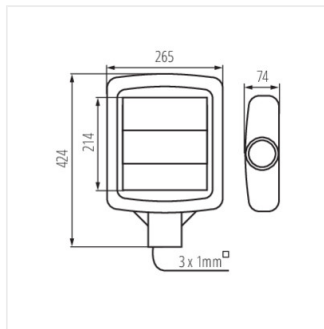
STREET LED 8000 NW



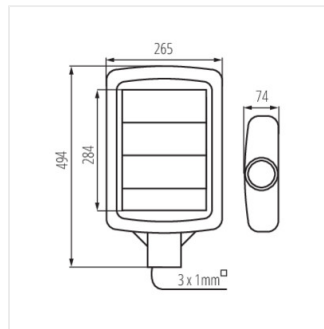
STREET LED 12000 NW



STREET LED 4000



STREET LED 8000



STREET LED 12000

STREET LED

Parking lighting LED

ACCESSORIES:

27333 STREET LED ADTR 15D

Adjustable adaptor intended for installing STREET LED parking fixtures on vertical posts with \varnothing 60mm to \varnothing 63mm diameter ends.

