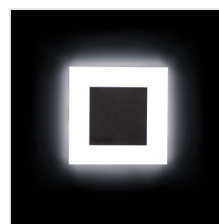
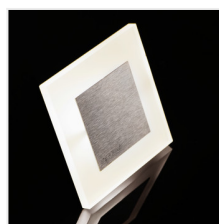
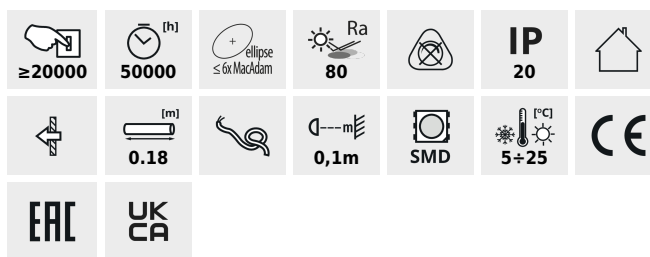


## APUS LED

### Staircase LED light fitting



#### APUS LED AC

		[V]	[W]		[lm]	Tc [K]
APUS LED WW	<b>23106</b>	12 DC	0.8	stainless steel	13	3000
APUS LED CW	<b>23107</b>	12 DC	0.8	stainless steel	15	6500
APUS LED AC-WW	<b>23800</b>	220-240 AC	1.3	stainless steel	13	3000
APUS LED AC-CW	<b>23801</b>	220-240 AC	1.3	stainless steel	15	6500
APUS LED AC B-NW	<b>26536</b>	220-240 AC	1.3	black	14	4000
APUS LED AC B-WW	<b>26537</b>	220-240 AC	1.3	black	13	3000
APUS LED B-NW	<b>26538</b>	12 DC	0.8	black	14	4000
APUS LED B-WW	<b>26539</b>	12 DC	0.8	black	13	3000
APUS LED W-WW	<b>26840</b>	12 DC	0.8	white	13	3000
APUS LED W-CW	<b>26841</b>	12 DC	0.8	white	15	6500
APUS LED PIR WW	<b>27370</b>	12 DC	0.8	stainless steel	13	3000
APUS LED PIR CW	<b>27371</b>	12 DC	0.8	stainless steel	15	6500
APUS LED W-NW	<b>27378</b>	12 DC	0.8	white	14	4000
APUS LED PIR NW	<b>27379</b>	12 DC	0.8	stainless steel	14	4000
APUS LED PIR B-NW	<b>29856</b>	12 DC	0.8	black	14	4000
APUS LED PIR B-WW	<b>29857</b>	12 DC	0.8	black	13	3000
APUS LED NW	<b>32488</b>	12 DC	0.8	stainless steel	14	4000

Kanlux APUS means modern design combined with an attractive effect of lighting. It is a perfect idea to highlight stairs and corridors or to emphasize decor of rooms. The unique structure of the holders ensures even emission of light. The AC version is equipped with 230V power supply unit which fits into a box and the PIR version is equipped with a

## APUS LED

### Staircase LED light fitting

motion sensor. The sensor detects movement / turns lights on regardless of the ambient light intensity.

- Enclosure material: polished stainless steel, plastic



APUS LED



APUS LED B



APUS LED W



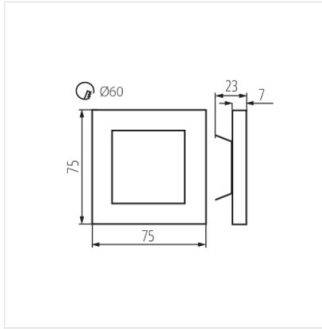
APUS LED PIR



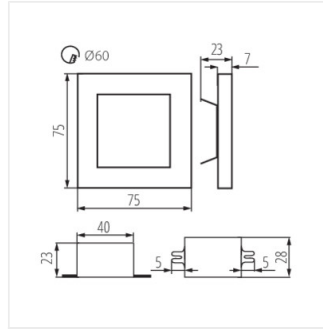
APUS LED PIR B

## APUS LED

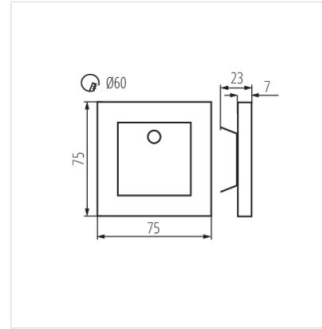
### Staircase LED light fitting



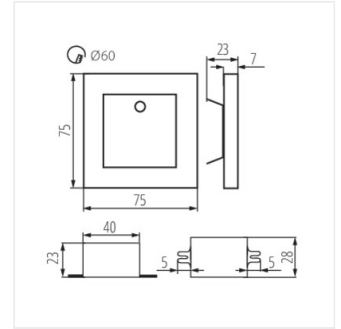
APUS LED



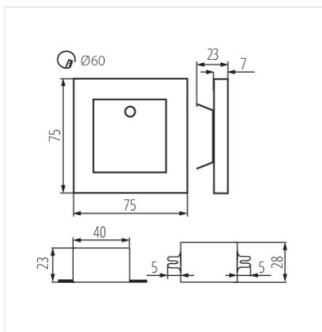
APUS LED AC



APUS LED PIR



APUS LED PIR B-NW



APUS LED PIR B-WW