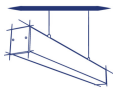
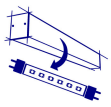


ALIN 4LED 1540mm

T8 LED tube linear fittings



| | | | | | |
|--------------------------|-------------------|----------------------|------------------------------------|---------------------------------|-----------------|
| [V] 220-240 AC | [Hz] 50 | [W] max 58 | G13 | IP 20 | |
| [°C] 5÷25 | | | [mm²] 1.5+2.5 | L N ONE SIDE INPUT | 0,5m |
| CE | EAC | PZH | UK CA | | |

ALIN 4LED 1X150-W

| | | TYPE | | | [mm] |
|--------------------|--------------|-----------------|--------|--------|-----------------|
| ALIN 4LED 1X150-W | 27422 | matt | white | T8 LED | 1540 |
| ALIN 4LED 1X150-SR | 27424 | matt | silver | T8 LED | 1540 |
| ALIN 4LED 1X150-B | 27423 | matt | black | T8 LED | 1540 |
| AL 4LED 150-MPR-W | 28455 | microprismatic | white | T8 LED | 1540 |
| AL 4LED 150-MPR-SR | 28457 | microprismatic | silver | T8 LED | 1540 |
| AL 4LED 150-MPR-B | 28456 | microprismatic | black | T8 LED | 1540 |

- Enclosure material: aluminum alloy
- Lampshade material: plastic

ALIN 4LED 1540mm

T8 LED tube linear fittings



ALIN 4LED 1X150-W



ALIN 4LED 1X150-SR



ALIN 4LED 1X150-B



AL 4LED 150-MPR-W



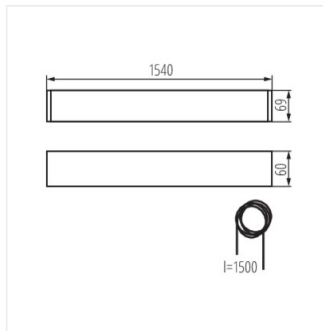
AL 4LED 150-MPR-SR



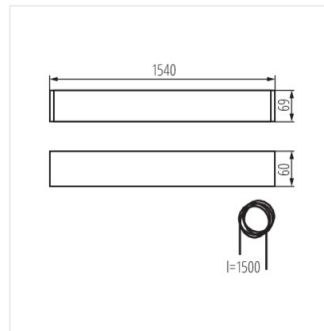
AL 4LED 150-MPR-B

ALIN 4LED 1540mm

T8 LED tube linear fittings



ALIN 4LED 1X150



ALIN 4LED 150-MPR