

ELNIS L

Ring for spotlight fittings



ELNIS L W/A



| ELNIS L W | 27804 | max 35 | white | none |
|-------------|--------------|--------|---------------------|------|
| ELNIS L W/A | 27805 | max 35 | white/anthracite | none |
| ELNIS L W/C | 27806 | max 35 | white / chrome | none |
| ELNIS L A/C | 27808 | max 35 | anthracite / chrome | none |
| ELNIS L A | 27809 | max 35 | anthracite | none |
| ELNIS L B/G | 27810 | max 35 | black/gold | none |
| ELNIS L C/W | 27811 | max 35 | chrome / white | none |

The Kanlux ELNIS L is a fixture which consists of two parts forming a whole. It is a combination of two separate elements: the body (the main part) and the casing (the spacer ring), forming a perfectly matched whole. The ELNIS L is a fixture with a 25-mm-high casing. The Kanlux ELNIS L is characterised by modern design and very-high quality of workmanship.

- Enclosure material: aluminum alloy

ELNIS L

Ring for spotlight fittings



ELNIS L W



ELNIS L W/C



ELNIS L A/C



ELNIS L A



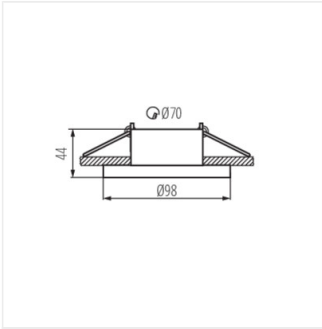
ELNIS L B/G



ELNIS L C/W

ELNIS L

Ring for spotlight fittings



ELNIS L