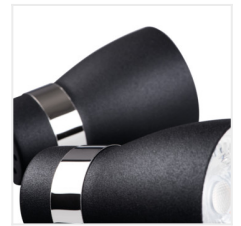
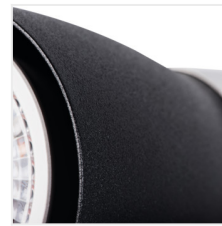


## ENALI

Wall & ceiling lighting fitting



<b>[V]</b> 220-240 AC	<b>[Hz]</b> 50	 PAR16	 GU10	 IP 20	
 5÷25		 310	 90	 1÷2.5	 0,5m
<b>CE</b>	<b>EAC</b>	<b>UK CA</b>			



ENALI EL-10 W



ENALI EL-10 W	<b>28760</b>	max 35	white
ENALI EL-10 B	<b>28761</b>	max 35	black
ENALI EL-2I W	<b>28762</b>	2 x max 35	white
ENALI EL-2I B	<b>28763</b>	2 x max 35	black
ENALI EL-30 W	<b>28764</b>	3 x max 35	white
ENALI EL-30 B	<b>28765</b>	3 x max 35	black
ENALI EL-3I W	<b>28766</b>	3 x max 35	white
ENALI EL-3I B	<b>28767</b>	3 x max 35	black
ENALI EL-4I W	<b>28768</b>	4 x max 35	white
ENALI EL-4I B	<b>28769</b>	4 x max 35	black

The Kanlux ENALI is a family of point fixtures (ceiling and wall). Thanks to the adjustable joints you can freely set the light-beam angle. The fixtures fit perfectly into Scandinavian style interiors, their shape will emphasise the character of retro interiors, and the chrome accessories will add a subtle touch to modern interiors.

- Enclosure material: steel
- Lampshade material: steel



ENALI EL-10 B



ENALI EL-21 W



ENALI EL-21 B



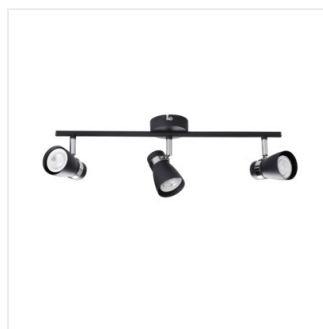
ENALI EL-30 W



ENALI EL-30 B



ENALI EL-31 W



ENALI EL-31 B



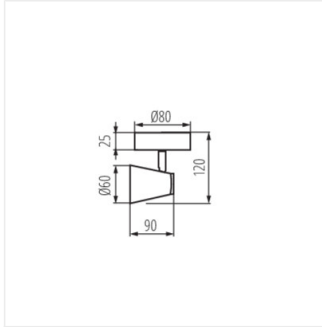
ENALI EL-41 W



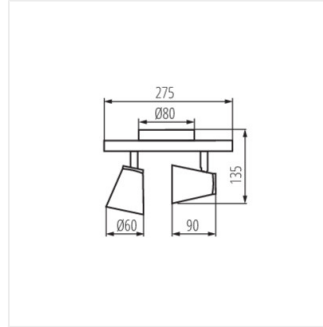
## ENALI

### Wall & ceiling lighting fitting

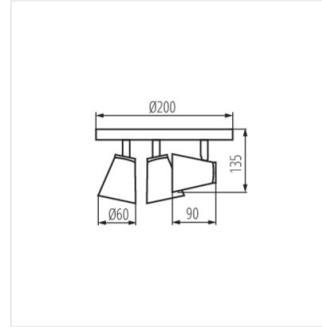
#### ENALI EL-41 B



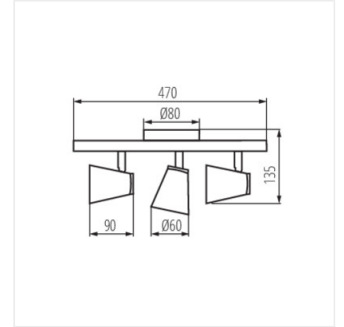
ENALI EL-10



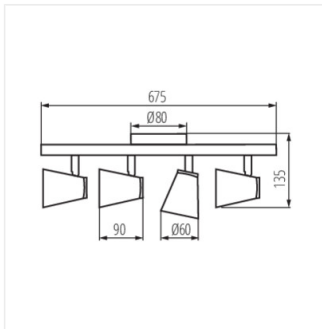
ENALI EL-21



ENALI EL-30



ENALI EL-31



ENALI EL-41