

KATRO V2LED

Downlight fitting



[V] 220-240 AC	[Hz] 50	≥20000	15000	ellipse ≤ 60 MacAdam	Ra 80	SMD
IP 44/20	House	5+25	360° Φ _{use}	CE	EAC	UKCA
[mm] 0.05	[mm] 0.75	0,5m				



KATRO V2LED 12W-NW-SN

	[W]	[mm]	[°]	T _c [K]
KATRO V2LED 12W-NW-SN	27214	12	nickel satin	780 110 4000
KATRO V2LED 18W-NW-SN	27215	18	nickel satin	1250 110 4000
KATRO V2LED 24W-NW-SN	27216	24	nickel satin	1700 110 4000
KATRO V2LED 6W-NW-SN	27217	6	nickel satin	300 110 4000
KATRO V2LED 12W-NW-SR	28939	12	silver	660 110 4000
KATRO V2LED 12W-NW-W	28940	12	white	780 110 4000
KATRO V2LED 12W-WW-W	28941	12	white	720 110 3000
KATRO V2LED 18W-NW-SR	28942	18	silver	1080 110 4000
KATRO V2LED 18W-NW-W	28943	18	white	1260 110 4000
KATRO V2LED 18W-WW-W	28944	18	white	1200 110 3000
KATRO V2LED 24W-NW-W	28945	24	white	1680 110 4000
KATRO V2LED 6W-NW-W	28946	6	white	330 110 4000
KATRO V2LED 6W-WW-W	28947	6	white	300 110 3000
KATRO V2LED 24W-WW-W	33529	24	white	1560 110 3000
KATRO V2LED 6W-WW-B	33564	6	black	270 110 3000

Kanlux KATRO V2LED is a new version of KATRO N LED luminaires, popular square downlights for indoor use. They combine aesthetic design with light obtained owing to LED technology. No water or dust can get to the inside owing to the high class of tightness (IP44).

- Enclosure material: aluminum alloy
- Lampshade material: plastic

KATRO V2LED

Downlight fitting



KATRO V2LED 12W-NW-SN



KATRO V2LED 18W-NW-SN



KATRO V2LED 24W-NW-SN



KATRO V2LED 12W-NW-SR



KATRO V2LED 12W-NW-W



KATRO V2LED 12W-WW-W



KATRO V2LED 18W-NW-SR



KATRO V2LED 18W-NW-W

KATRO V2LED

Downlight fitting



KATRO V2LED 18W-WW-W



KATRO V2LED 24W-NW-W



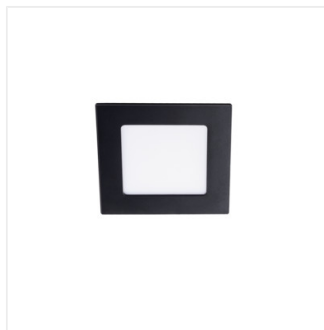
KATRO V2LED 6W-NW-W



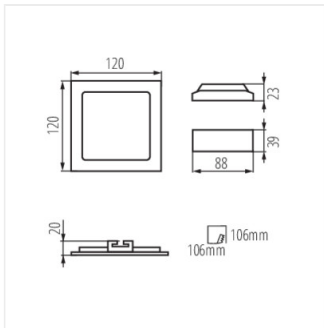
KATRO V2LED 6W-WW-W



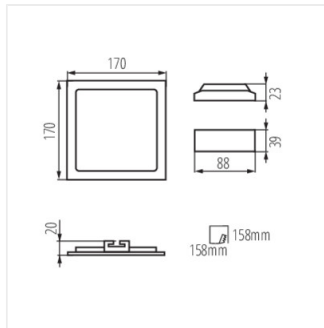
KATRO V2LED 24W-WW-W



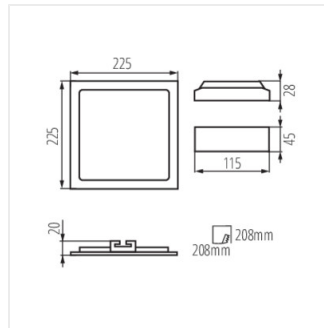
KATRO V2LED 6W-WW-B



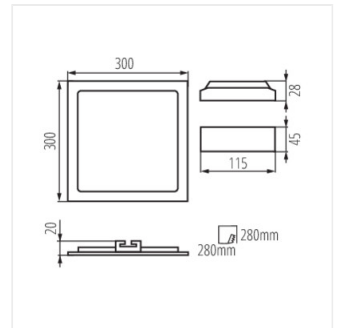
KATRO V2LED 6W



KATRO V2LED 12W



KATRO V2LED 18W



KATRO V2LED 24W