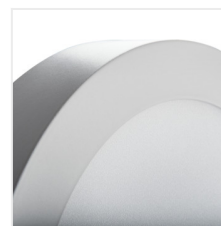


## CARSA V2LED

### Downlight fitting



[V] 220-240 AC	[Hz] 50	≥20000	[h] 15000	ellipse ≤ 60 MacAdam	Ra 80	SMD
	IP 20		[°C] 5+25			
[mm] 0.05	[mm] 0.75	0,5m				



### CARSA V2LED 12W-NW-SN

	[W]		[lm]	[°]	T <sub>c</sub> [K]	
CARSA V2LED 12W-NW-SN	<b>27210</b>	12	nickel satin	720	110	4000
CARSA V2LED 18W-NW-SN	<b>27211</b>	18	nickel satin	1200	110	4000
CARSA V2LED 12W-NW-W	<b>28948</b>	12	white	780	110	4000
CARSA V2LED 18W-NW-W	<b>28949</b>	18	white	1260	110	4000
CARSA V2LED 6W-NW-W	<b>33530</b>	6	white	330	110	4000
CARSA V2LED 12W-NW-B	<b>33532</b>	12	black	660	110	4000
CARSA V2LED 12W-WW-W	<b>33534</b>	12	white	720	110	3000
CARSA V2LED 12W-WW-B	<b>33535</b>	12	black	600	110	3000
CARSA V2LED 18W-NW-B	<b>33536</b>	18	black	1080	110	4000
CARSA V2LED 18W-WW-W	<b>33538</b>	18	white	1200	110	3000
CARSA V2LED 18W-WW-B	<b>33539</b>	18	black	990	110	3000
CARSA V2LED 24W-NW-W	<b>33541</b>	24	white	1680	110	4000

Kanlux CARSA V2 LED is a round façade luminaire characterised by harmonious combination of LED technology with attractive and modern looks. It is distinguished by high energy efficiency with maintained excellent light parameters. Kanlux CARSA V2 LED is perfect for lighting residential interiors and office rooms.

- Enclosure material: aluminum alloy
- Lamphshade material: plastic

## CARSA V2LED

Downlight fitting



CARSA V2LED 12W-NW-SN



CARSA V2LED 18W-NW-SN



CARSA V2LED 12W-NW-W



CARSA V2LED 18W-NW-W



CARSA V2LED 6W-NW-W



CARSA V2LED 12W-NW-B



CARSA V2LED 12W-WW-W



CARSA V2LED 12W-WW-B



CARSA V2LED 18W-NW-B



CARSA V2LED 18W-WW-W



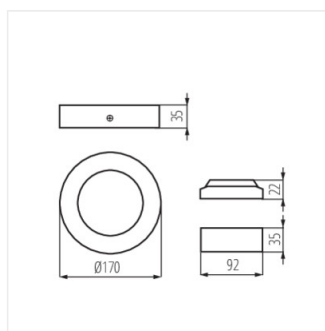
CARSA V2LED 18W-WW-B



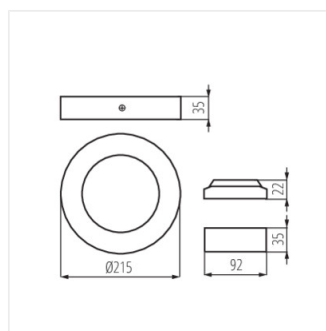
CARSA V2LED 24W-NW-W

## CARSA V2LED

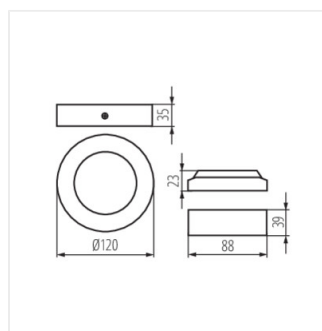
### Downlight fitting



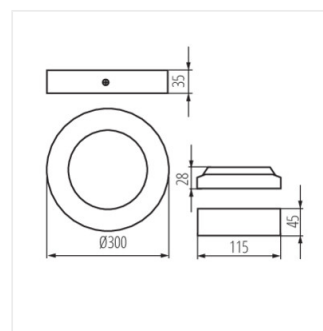
CARSA V2LED 12W



CARSA V2LED 18W



CARSA V2LED 6W



CARSA V2LED 24W