

## POWELED

CV power supply unit



[V] 220-240 AC	[Hz] 50	CV 	PRI [V] 220-240		IP 20	
		[mm²] 0.5-1.5	 5÷25	CE	EAC	UK CA

### POWELED P 12V 30W

SEC [V]



	SEC [V]		
POWELED P 12V 30W	<b>26810</b>	12 DC	1-30
POWELED P 12V 60W	<b>26811</b>	12 DC	1-60
POWELED P 24V 30W	<b>26815</b>	24 DC	1-30
POWELED P 24V 60W	<b>26816</b>	24 DC	1-60
POWELED P 12V 100W	<b>28961</b>	12 DC	1-100
POWELED P 24V 100W	<b>28962</b>	24 DC	1-100
POWELED P 12V 150W	<b>28963</b>	12 DC	75-150
POWELED P 24V 150W	<b>28964</b>	24 DC	75-150
POWELED P 12V 200W	<b>28965</b>	12 DC	120-200
POWELED P 24V 200W	<b>28966</b>	24 DC	120-200

Kanlux POWELED is an electronic constant-voltage power supply unit. It is used for powering LED belts such as LED S P or LED S B.

- The power supply unit is not designed to work without load.
- Material: plastic

## POWELED

CV power supply unit



POWELED P 12V 30W



POWELED P 12V 60W



POWELED P 24V 30W



POWELED P 24V 60W



POWELED P 12V 100W



POWELED P 24V 100W



POWELED P 12V 150W



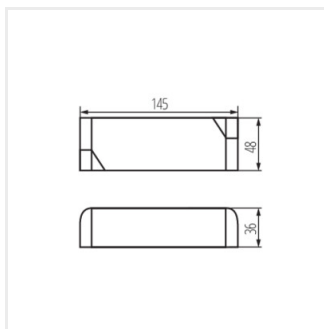
POWELED P 24V 150W



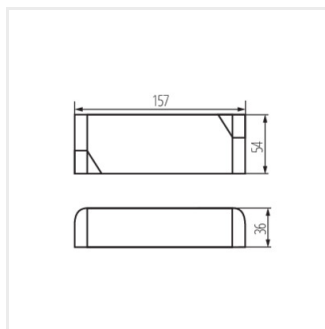
POWELED P 12V 200W



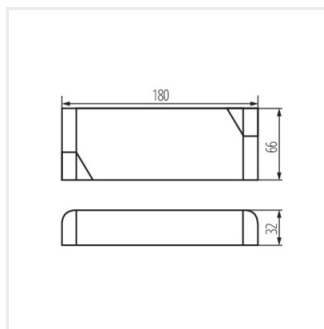
POWELED P 24V 200W



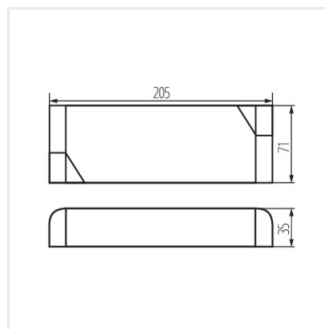
POWELED P 30W



POWELED P 60W



POWELED P 100W



POWELED P 150W /  
POWELED P 200W