

SANI IP44

Ceiling-mounted spotlight fitting



[V] 220-240 AC	[Hz] 50	GU10		IP 44		5+25
		[mm] 0.75+1.5	0,5m			



SANI IP44 DSO-B



SANI IP44 DSO-B	29240	max 10	black
SANI IP44 DSO-W	29241	max 10	white
SANI IP44 DSO-SN	29242	max 10	nickel satin

KANLUX SANI IP44 are surface holders. They are characterized by simple stylistics and availability in two colours - white and black. High tightness of the holders (IP44) allows using them in rooms where electric devices are exposed to increased humidity and risk of flooding with water e.g. bathroom and kitchen.

- Luminaire only for LED source.
- Enclosure material: aluminum alloy
- Lampshade material: plastic

SANI IP44

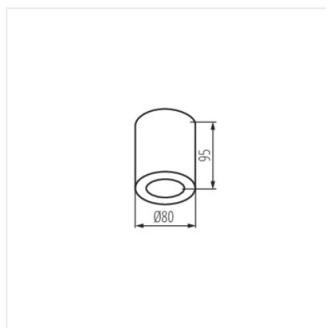
Ceiling-mounted spotlight fitting



SANI IP44 DSO-W



SANI IP44 DSO-SN



SANI IP44 DSO