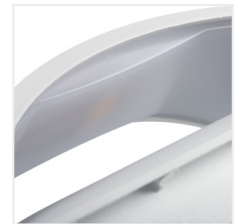
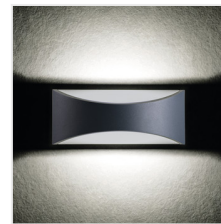
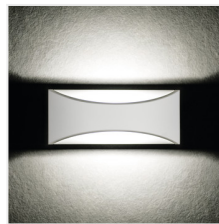


BISO LED

Facade luminaire



[V] 220-240 AC	[Hz] 50	≥25000	25000	ellipse ≤ 60 MacAdam	Ra 80	COB
		IP 54	0,5m	-15÷40		
[mm²] 1.5÷2.5		EAC	UK CA			



BISO LED EL 8W-GR



BISO LED EL 8W-GR	29260	8	140	4000	wall mounted	graphite
BISO LED EL 8W-W	29261	8	375	4000	wall mounted	white

Kanlux BISO are facade fittings characterized by simple and attractive design. They can be used as a fitting for interiors (they have an appropriate CRI coefficient), at the same time they can be used on building facades (IP54). In Kanlux BISO holder light falling from the LED module is softly diffused on facade and a rear part of the holder.

- Enclosure material: aluminum alloy
- Protective glass material: plastic

BISO LED

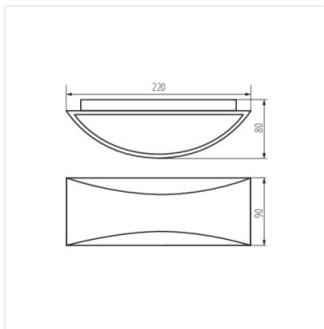
Facade luminaire



BISO LED EL 8W-GR



BISO LED EL 8W-W



BISO LED EL 8W