

CHIRO GU10

Ceiling-mounted spotlight fitting



MODERN
design

DESIGN
unique



CHIRO GU10 DTO-B

[V] 220-240 AC	[Hz] 50	PAR16	GU10		IP 20
	[°C] 5÷25	[°] 340	[mm] Ø70	[mm²] 0.75-1.5	0,5m



CHIRO GU10 DTO-W	29310	max 35	white	in one axis	90
CHIRO GU10 DTO-B	29311	max 35	black	in one axis	90
CHIRO GU10 DTL-W	29312	max 35	white	in one axis	90
CHIRO GU10 DTL-B	29313	max 35	black	in one axis	90

Kanlux CHIRO GU10, is a completely new category of decorative lighting. It is the ceiling-mounted lamp which can be mounted in a suspended ceiling just like an typical spotlight fitting. Unique design and assembly of this lamp are its largest assets.

- Enclosure material: aluminum alloy

CHIRO GU10

Ceiling-mounted spotlight fitting



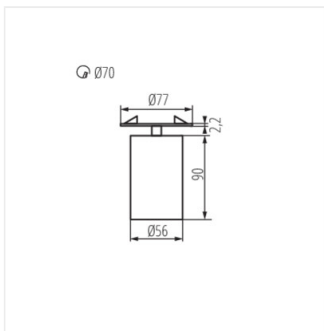
CHIRO GU10 DTO-W



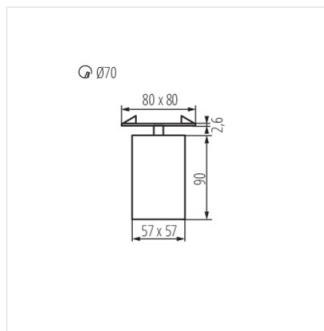
CHIRO GU10 DTL-W



CHIRO GU10 DTL-B



CHIRO GU10 DTO



CHIRO GU10 DTL