

## XLED C35

LED light source



XLED C35E14 2,5W



	<b>Pon/W</b>	<b>W</b>	<b>lm</b>	<b>T<sub>c</sub> [K]</b>	<b>°</b>	<b>Filament</b>	<b>Filament</b>	<b>Ei A/G</b>
XLED C35E14 2.5W-WW	<b>29617</b>	2.5	25	250	2700	320	E14	≥15000 F
XLED C35E14 4.5W-WW	<b>29618</b>	4.5	40	470	2700	320	E14	≥15000 F
XLED C35E14 4.5W-NW	<b>29619</b>	4.5	40	470	4000	320	E14	≥15000 F
XLED C35 E14 6W-WW	<b>35272</b>	6	60	806	2700	320	E14	≥25000 E
XLED C35 E14 6W-NW	<b>35273</b>	6	60	806	4000	320	E14	≥25000 E

Kanlux XLED combines the best features of traditional bulbs and modern LED light sources. Therefore, we talk about it as the first real LED bulb. A glass bulb in the shape of a traditional “candle” and LED diodes placed in such a way so that light can part in all directions, and the angle of light comes to even 320 degrees!

- Lampshade material: glass

## XLED C35

LED light source



XLED C35E14 2,5W



XLED C35E14 4,5W



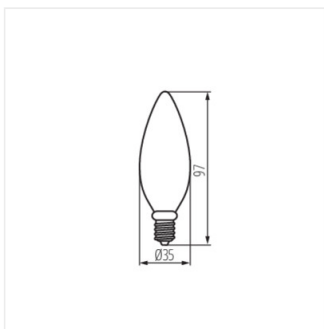
XLED C35E14 4,5W-NW



XLED C35 E14 6W-WW



XLED C35 E14 6W-NW



XLED C35 E14