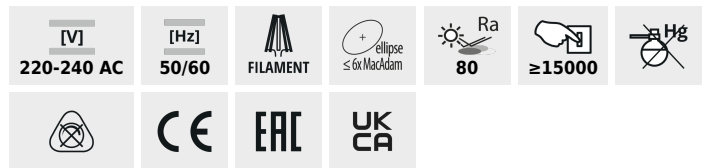


XLED G45M

LED light source



XLED G45E14 4,5W, XLED G45E14 6W



		[W]	[lm]	[°]	T _c [K]	[mm]		[h]	Ei
XLED G45E14 4.5W-WW-M	29626	4.5	40	470	2700	320	E14	15000	F
XLED G45E14 4.5W-NW-M	29627	4.5	40	470	4000	320	E14	15000	F
XLED G45 E14 6W-WW-M	29628	6	60	810	2700	320	E14	10000	E
XLED G45 E14 6W-NW-M	29629	6	60	810	4000	320	E14	10000	E
XLED G45E27 4.5W-WW-M	29630	4.5	40	470	2700	320	E27	15000	F
XLED G45E27 4.5W-NW-M	29631	4.5	40	470	4000	320	E27	15000	F
XLED G45 E27 6W-WW-M	29632	6	60	810	2700	320	E27	10000	E
XLED G45 E27 6W-NW-M	29633	6	60	810	4000	320	E27	10000	E

Kanlux XLED combines the best features of traditional bulbs and modern LED light sources. Therefore, we talk about it as the first real LED bulb. A mat bulb in the shape of a traditional “ball” and LED diodes placed in such a way so that light can part in all directions. You choose from sources with E27 and E14 light bulb bases.

- Lampshade material: glass

XLED G45M

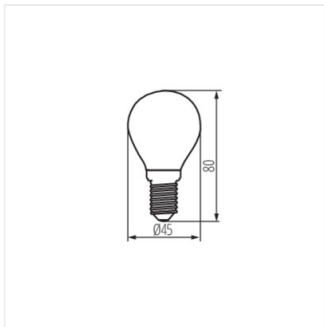
LED light source



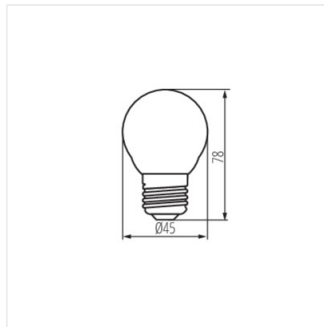
XLED G45E14 4,5W, XLED G45E14 6W



XLED G45E27 4,5W, XLED G45E27 6W



XLED G45E14 4,5W, XLED G45E14 6W



XLED G45E27 4,5W, XLED G45E27 6W