

## XLED C35M

LED light source



[V] 220-240 AC	[Hz] 50	FILAMENT	360° Φ <sub>use</sub>	ellipse ≤ 6x MacAdam	Ra 80	≥15000
		CE	EAC	UK CA		



XLED C35E14 4,5W-WW-M



	POW [W]	[W]	[lm] Φ <sub>use</sub>	Tc [K]	[°]	filament	[h]	E <sub>i</sub> A/G
XLED C35E14 4.5W-WW-M	<b>29620</b>	4.5	40	470	2700	320	E14	15000 F
XLED C35E14 4.5W-NW-M	<b>29621</b>	4.5	40	470	4000	320	E14	15000 F
XLED C35E14 6W-WW-M	<b>29622</b>	6	60	810	2700	320	E14	10000 D
XLED C35E14 6W-NW-M	<b>29623</b>	6	60	810	4000	320	E14	10000 D
XLED C35E27 6W-WW-M	<b>29646</b>	6	60	810	2700	320	E27	10000 D
XLED C35E27 6W-NW-M	<b>29647</b>	6	60	810	4000	320	E27	10000 D

Kanlux XLED combines the best features of traditional bulbs and modern LED light sources. Therefore, we talk about it as the first real LED bulb. A mat bulb in the shape of a traditional “candle” and LED diodes placed in such a way so that light can part in all directions, and the angle of light comes to even 320 degrees!

- Lampshade material: glass

## XLED C35M

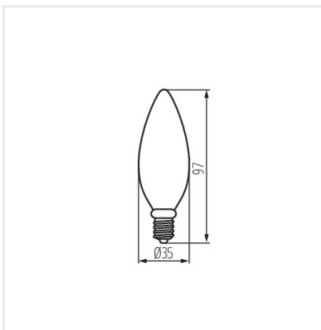
LED light source



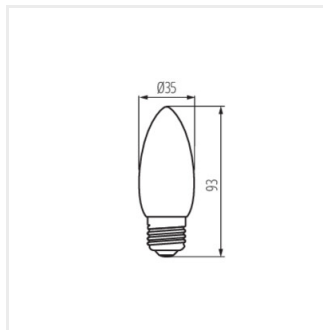
XLED C35E14 4,5W, XLED  
C35E14 6W



XLED C35E27 6W



XLED C35E14 4,5W, XLED  
C35E14 6W



XLED C35E27 6W