

## LART EL

### Facade luminaire



**IP**  
**54**

|                          |                   |           |                 |                        |  |            |
|--------------------------|-------------------|-----------|-----------------|------------------------|--|------------|
| <b>[V]</b><br>220-240 AC | <b>[Hz]</b><br>50 |           | <b>IP</b><br>54 | <br>0,5m               |  | <br>-20÷35 |
|                          | <br>0.5÷1.5       | <b>CE</b> | <b>EAC</b>      | <b>UK</b><br><b>CA</b> |  |            |



|                |              |           |             |     |              |            |             |
|----------------|--------------|-----------|-------------|-----|--------------|------------|-------------|
| LART EL-160-GR | <b>29832</b> | max 60    | GLS/CFL/LED | E27 | wall mounted | anthracite | down        |
| LART EL-260-GR | <b>29833</b> | 2x max 60 | GLS/CFL/LED | E27 | wall mounted | anthracite | up and down |

A series of facade Kanlux LART luminaires is a raw and at the same time classic line of facade luminaires in a casing made of aluminium. The external surface of the luminaire is completed in a graphite colour. Kanlux LART look perfect both on a single basis and in combination of several luminaires - subtly complementing light arrangements on terraces or facades of buildings.

- Enclosure material: aluminum alloy
- Protective glass material: Tempered glass

## LART EL

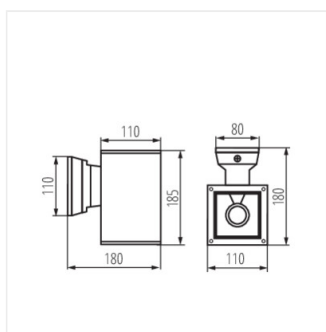
### Facade luminaire



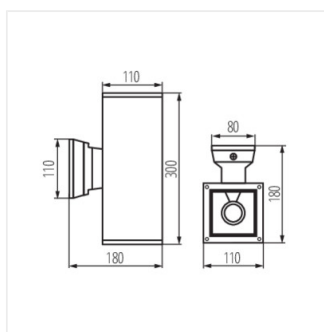
LART EL-160-GR



LART EL-260-GR



LART EL-160



LART EL-260