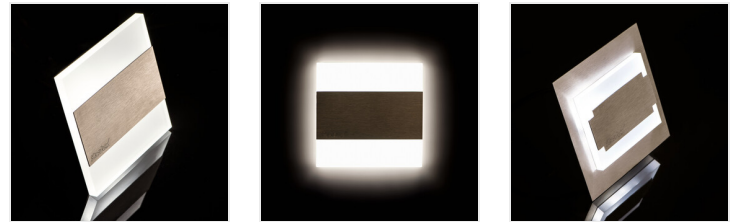


## TERRA LED

### Staircase LED light fitting



TERRA LED WW

TERRA LED WW	<b>23102</b>	12 DC	0.8	stainless steel	13	3000
TERRA LED CW	<b>23104</b>	12 DC	0.8	stainless steel	15	6500
TERRA LED AC-WW	<b>23806</b>	220-240 AC	1.3	stainless steel	13	3000
TERRA LED W-WW	<b>26842</b>	12 DC	0.8	white	13	3000
TERRA LED W-CW	<b>26843</b>	12 DC	0.8	white	15	6500
TERRA LED B-NW	<b>26848</b>	12 DC	0.8	black	14	4000
TERRA LED B-WW	<b>26849</b>	12 DC	0.8	black	13	3000
TERRA LED P68 CW CZ	<b>27082</b>	12 DC	0.8	stainless steel	15	6500
TERRA LED P68 WW CZ	<b>27083</b>	12 DC	0.8	stainless steel	13	3000
TERRA LED P68 B-NW CZ	<b>27088</b>	12 DC	0.8	black	14	4000
TERRA LED P68 B-WW CZ	<b>27089</b>	12 DC	0.8	black	13	3000
TERRA LED PIR B-NW	<b>29860</b>	12 DC	0.8	black	14	4000
TERRA LED PIR B-WW	<b>29861</b>	12 DC	0.8	black	13	3000

Kanlux TERRA means modern design combined with an attractive effect of lighting. It is a perfect idea to highlight stairs and corridors or to emphasize decor of rooms. The unique structure of the holders ensures even emission of light. The AC version is equipped with 230V power supply unit which fits into a box and the PIR version is equipped with a motion sensor. The sensor detects movement / turns lights on regardless of the ambient light intensity.

- Enclosure material: polished stainless steel, plastic

## TERRA LED

### Staircase LED light fitting



TERRA LED WW



TERRA LED CW



TERRA LED AC-WW



TERRA LED W-WW



TERRA LED W-CW



TERRA LED B-NW



TERRA LED B-WW



TERRA LED P68 CW CZ



TERRA LED P68 WW CZ



TERRA LED P68 B-NW CZ



TERRA LED P68 B



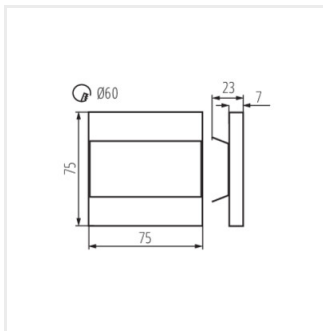
TERRA LED PIR B-NW

## TERRA LED

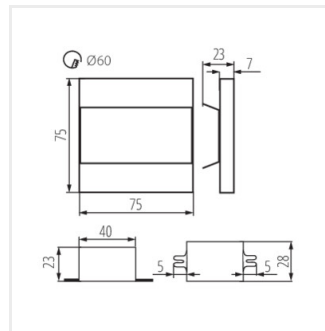
### Staircase LED light fitting



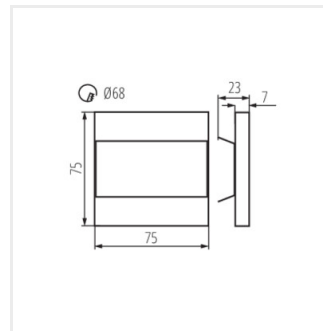
TERRA LED PIR B-WW



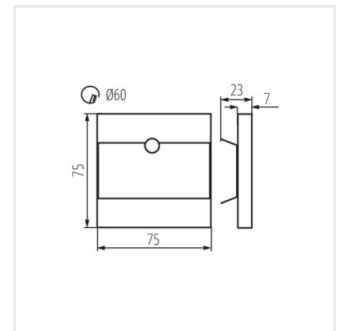
TERRA LED



TERRA LED AC



TERRA LED P68



TERRA LED PIR B