

HIBO LED N

High-bay LED light fitting



 220-240 AC	 50	 120	 ≥20000	 25000	 Ra 80
 SMD	 IP 65	 IP 65	 IP 65	 -20÷40	
	 0.45	 1		 1m	

HIBO LED N 50W-NW



HIBO LED N 50W-NW	31111	50	4750	4000	4000	black	F
HIBO LED N 100W-NW	31112	100	10000	8200	4000	black	F
HIBO LED N 150W-NW	31113	150	15000	12300	4000	black	F
HIBO LED N 200W-NW	31114	200	20000	16450	4000	black	F

HIBO LED is a "High Bay" luminaire using a LED module with SMD diodes. The luminaire has a high rating of tightness IP65, thanks to which it can be mounted in places of high dustiness and exposed to water. It is an industrial luminaire suitable for lighting of storehouses, production halls and large commercial spaces.

- Enclosure material: aluminum alloy
- Protective glass material: glass

HIBO LED N

High-bay LED light fitting



HIBO LED N 50W-NW



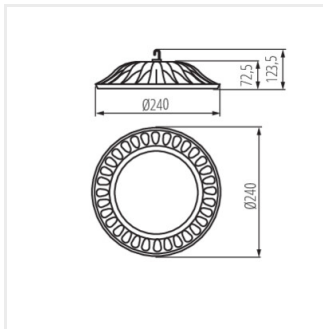
HIBO LED N 100W-NW



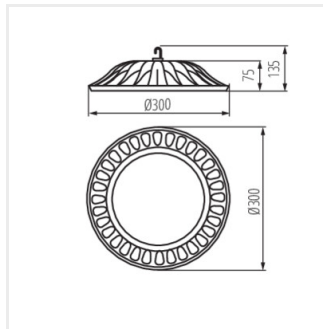
HIBO LED N 150W-NW



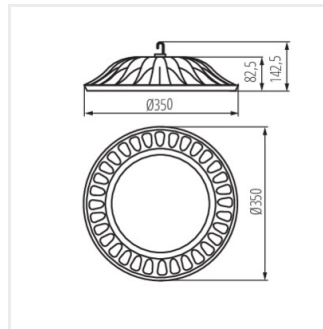
HIBO LED N 200W-NW



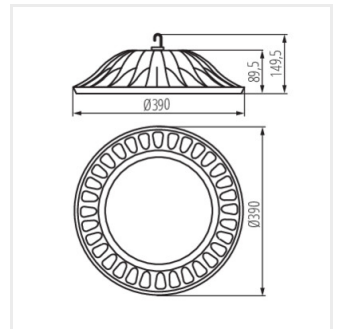
HIBO LED N 50W



HIBO LED N 100W



HIBO LED N 150W



HIBO LED N 200W