

GU10 2,7W

LED light source



[V] 220-240 AC	[Hz] 50	PAR16	SMD	[W] 2.7	120° Φ _{use}	lm W 89
ellipse ≤ 6x MacAdam	Ra 80	≥15000	[h] 15000	Hg		CE
EAC	UK CA					

GU10 2,7W-WW LED



	P _{out} [W]	[W]	[lm]	[lm] Φ _{use}	T _c [K]	[°]			
GU10 2.7W-WW LED	31227	2.7	25	240	220	3000	100	GU10	F
GU10 2.7W-NW LED	31228	2.7	25	240	220	4000	100	GU10	F
GU10 2.7W-CW LED	31229	2.7	25	240	220	5000	100	GU10	F

- Material: plastic
- Lampshade material: plastic



GU10 2,7W-WW LED



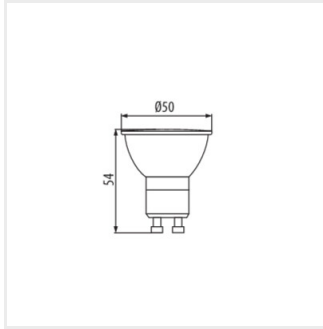
GU10 2,7W-NW LED



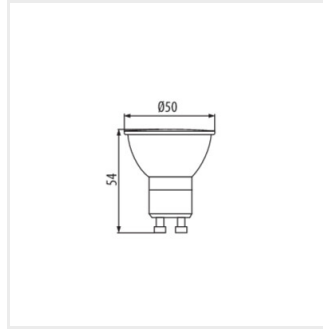
GU10 2,7W-CW LED

GU10 2,7W

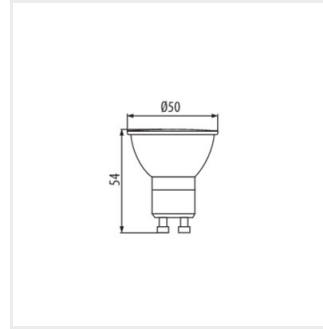
LED light source



GU10 2,7W-WW LED



GU10 2,7W-NW LED



GU10 2,7W-CW LED