

GU10 LED

LED light source



[V] 220-240 AC	[Hz] 50	PAR16	SMD	120° Φ _{use}	ellipse ≤ 6x Nachdam	Ra 80
≥15000	15000 ^[h]	Hg	Pb	CE	EAC	UK CA
↓						

GU10 4W-WW LED

--	--	--	--	--	--	--	--

GU10 4W-WW LED	31230	4	35	380	320	3000	100	GU10	G
GU10 4W-NW LED	31231	4	35	380	320	4000	100	GU10	G
GU10 4W-CW LED	31232	4	35	380	320	5000	100	GU10	G
GU10 6W-WW LED	31233	6	45	520	430	3000	100	GU10	G
GU10 6W-NW LED	31234	6	45	520	430	4000	100	GU10	G
GU10 6W-CW LED	31235	6	45	520	430	5000	100	GU10	G
GU10 8W-WW LED	31236	8	57	690	560	3000	100	GU10	G
GU10 8W-NW LED	31237	8	57	690	560	4000	100	GU10	G
GU10 8W-CW LED	31238	8	57	690	560	5000	100	GU10	G

- Lampshade material: plastic

GU10 LED

LED light source



GU10 4W-WW LED



GU10 4W-NW LED



GU10 4W-CW LED



GU10 6W-WW LED



GU10 6W-NW LED



GU10 6W-CW LED



GU10 8W-WW LED



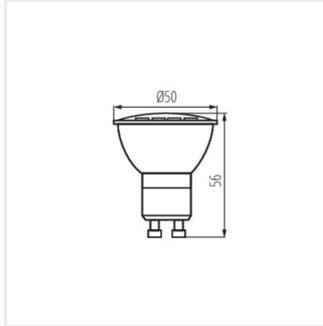
GU10 8W-NW LED



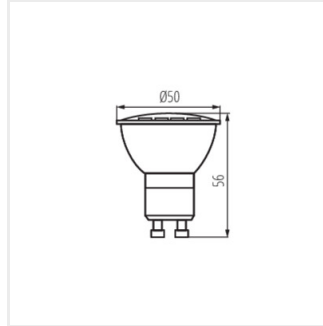
GU10 8W-CW LED

GU10 LED

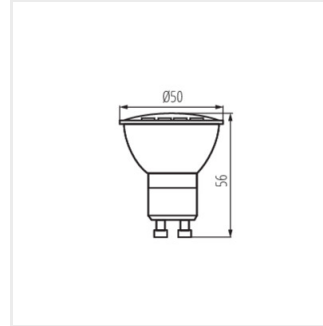
LED light source



GU10 4W LED



GU10 6W LED



GU10 8W LED