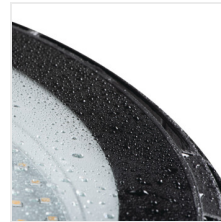


HB UFO LED

High-bay LED light fitting



$[V]$ 220-240 AC	$[Hz]$ 50	$[^\circ]$ 110	≥ 25000	$[h]$ 20000	ellipse $\leq 6x$ MacAdam	Ra 80
SMD			IP 65		$[^\circ C]$ -20÷40	
			1m	CE	EAC	UK CA



HB UFO LED 100W-NW



	P _{out} [W]	lm	lm/Φ _{use}	T _c [K]		Ei A G
HB UFO LED 100W-NW	31405	100	10000	8500	4000	black F
HB UFO LED 150W-NW	31406	150	15000	12600	4000	black F
HB UFO LED 200W-NW	31407	200	20000	17000	4000	black F

- Enclosure material: aluminum alloy
- Protective glass material: Tempered glass



HB UFO LED

High-bay LED light fitting



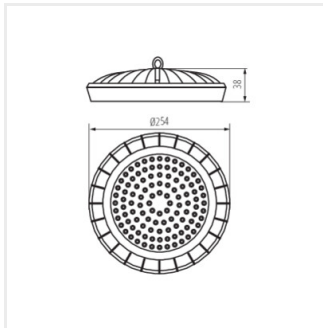
HB UFO LED 100W-NW



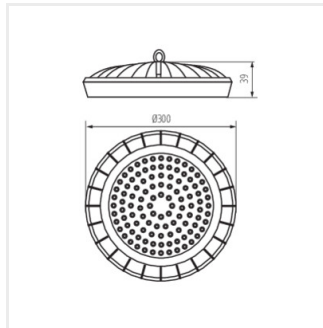
HB UFO LED 150W-NW



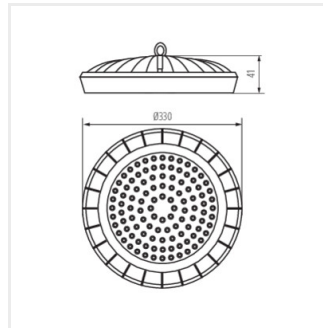
HB UFO LED 200W-NW



HB UFO LED 100W-NW



HB UFO LED 150W-NW



HB UFO LED 200W-NW