

REMI LED

LED light source



 220-240 AC	 50	 SMD	 2.2	 100	 Ra ≤ 6x MacAdam	 80
 ≥15000	 15000	 Hg				



REMI LED GU10-NW



REMI LED GU10-NW	33080	2.2	165	4000	100	GU10	F
REMI LED GU10-WW	33081	2.2	150	3000	100	GU10	F

LED light sources Kanlux REMI LED are designed for small-size luminaires. Their illumination angle is 120°. The bulb is distinguished by its small size so it will be useful for neat, small lamps.

- Material: plastic



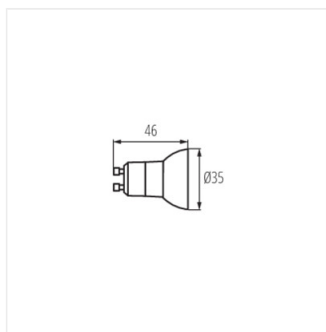
REMI LED GU10-NW



REMI LED GU10-WW

REMI LED

LED light source



REMI LED GU10