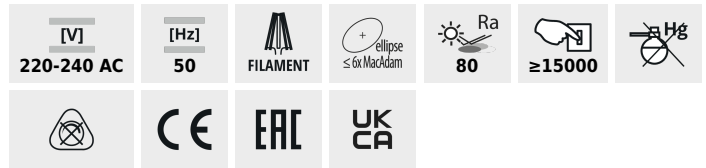


## XLED A60 B22 M

LED light source



XLED A60 B22 7W-WW-M



	[W]	[W]	Φ <sub>use</sub>	T <sub>c</sub> [K]	[°]	[h]	Eii A1 G
XLED A60 B22 7W-WW-M	<b>33102</b>	7	60	810	2700	320	B22 15000 E
XLED A60 B22 7W-CW-M	<b>33103</b>	7	60	810	6500	320	B22 15000 E
XLED A60 B22 10W-WW-M	<b>33108</b>	10	99	1520	2700	320	B22 10000 D
XLED A60 B22 10W-CW-M	<b>33109</b>	10	99	1520	6500	320	B22 10000 D

Kanlux XLED A60 B22 M combines the best features of traditional light bulbs and modern LED light sources. Matte bulb in the shape of a traditional light bulb and LED diodes arranged in such a way that the light spreads in all directions, and the beam angle is even 320 degrees! XLED A60 B22 M bulbs have a B22 cap.

- Lampshade material: glass

## XLED A60 B22 M

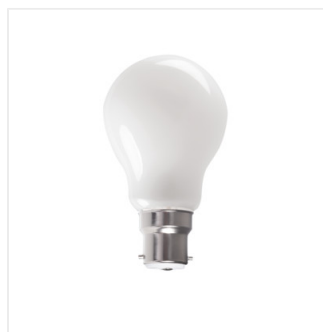
### LED light source



XLED A60 B22 7W-WW-M



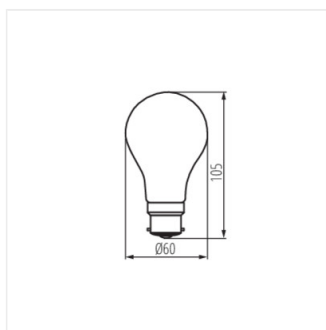
XLED A60 B22 7W-CW-M



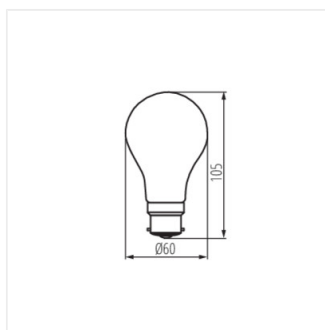
XLED A60 B22 10W-WW-M



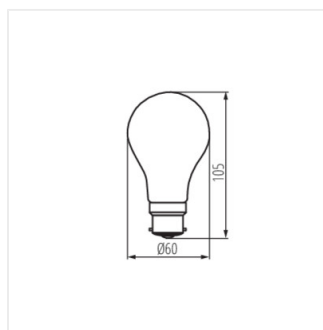
XLED A60 B22 10W-CW-M



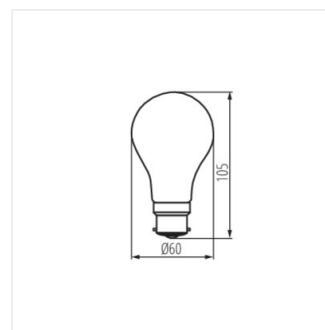
XLED A60 B22 7W-WW-M



XLED A60 B22 7W-CW-M



XLED A60 B22 10W-WW-M



XLED A60 B22 10W-CW-M