

ACORD ATL1

Track light projector



[V] 220-240 AC	[Hz] 50	 ≥30000	 50000	 ≤6x MacAdam	 90	 COB
		IP 20		 5+25		 315
 90	 0,5m	CE	EAC	PZH	UK	CA



ATL1 18W-930-S6-W



	[W]	[lm]	Tc [K]	[°]	
ATL1 18W-930-S6-W	33130	18	1700	3000	60 white
ATL1 18W-930-S6-B	33131	18	1700	3000	60 black
ATL1 18W-940-S6-W	33132	18	1800	4000	60 white
ATL1 18W-940-S6-B	33133	18	1800	4000	60 black
ATL1 30W-930-S6-W	33134	30	2850	3000	60 white
ATL1 30W-930-S6-B	33135	30	2850	3000	60 black
ATL1 30W-940-S6-W	33136	30	3000	4000	60 white
ATL1 30W-940-S6-B	33137	30	3000	4000	60 black

Kanlux ACORD ATL 1 are integrated lighting fixtures to be mounted on three-phase track. These are lamps that can be adapted to our individual needs. We can choose white or black, two powers (18W and 30W), light color and lighting angle (standard is 60°, but we can replace the reflector and change the angle to 15° or 36°) depending on whether we want to illuminate the surface or a specific detail. Kanlux ACORD ATL 1 stands for 50 000 hours of durability and a 5-year warranty. Branded key components (LED COB and power supply), high level of real color rendering (CRI > 90) and elimination of glare (UGR < 19) are other advantages of these unique luminaires.

- 5 years Warranty under the terms of the warranty statement, available on our website
- for installation on the TEAR N busbar
- Enclosure material: aluminum alloy
- Protective glass material: plastic

ACORD ATL1

Track light projector



ATL1 18W-930-S6-W



ATL1 18W-930-S6-B



ATL1 18W-940-S6-W



ATL1 18W-940-S6-B



ATL1 30W-930-S6-W



ATL1 30W-930-S6-B



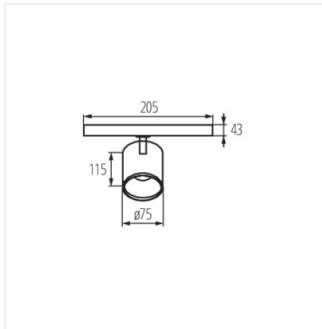
ATL1 30W-940-S6-W



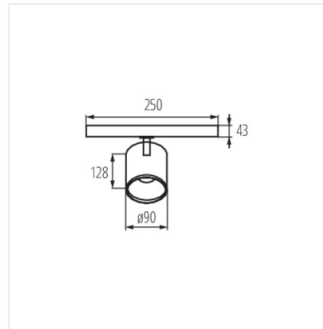
ATL1 30W-940-S6-B

ACORD ATL1

Track light projector



ATL1 18W-930-S6



ATL1 30W-930-S6

ACCESSORIES:

33140 REF ATL1-18W-S15 Reflector for the ATL 1 luminaire, 18 W, 15 degrees



33141 REF ATL1-18W-S36 Reflector for the ATL 1 luminaire, 18 W, 36 degrees



33142 REF ATL1-30W-S15 Reflector for the ATL 1 luminaire, 30 W, 15 degrees



33143 REF ATL1-30W-S36 Reflector for the ATL 1 luminaire, 30 W, 36 degrees

