

ACORD ATL2 GU10

Track light projector



[V] 220-240 AC	[Hz] 50	[W] max 10	PAR16	IP 20	
[°C] 5÷25		[°] 330	[°] 100		CE EAC
PZH	UK CA				



ATL2 GU10-W



ATL2 GU10-W	33138	white	GU10
ATL2 GU10-B	33139	black	GU10

Kanlux ACORD ATL 2 are lighting fixtures to be mounted on three-phase track. These are lamps with a replaceable light source that can be adapted to our individual needs. We can choose the color of the fitting: white or black, and a light source. Depending on our needs, we can choose the right color, lighting angle and power. Kanlux ACORD ATL 1 luminaires have a 5-year warranty.

- for installation on the TEAR N busbar
- Enclosure material: aluminum alloy

ACORD ATL2 GU10

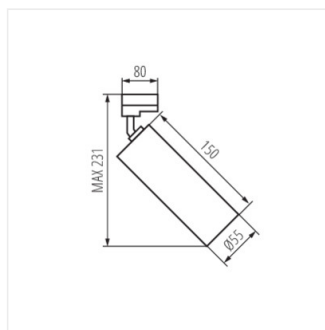
Track light projector



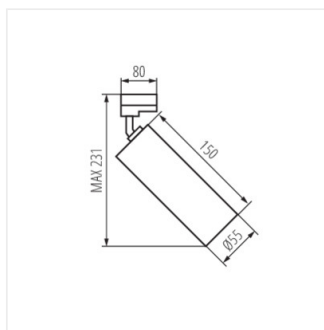
ATL2 GU10-W



ATL2 GU10-B



ATL2 GU10-W



ATL2 GU10-B